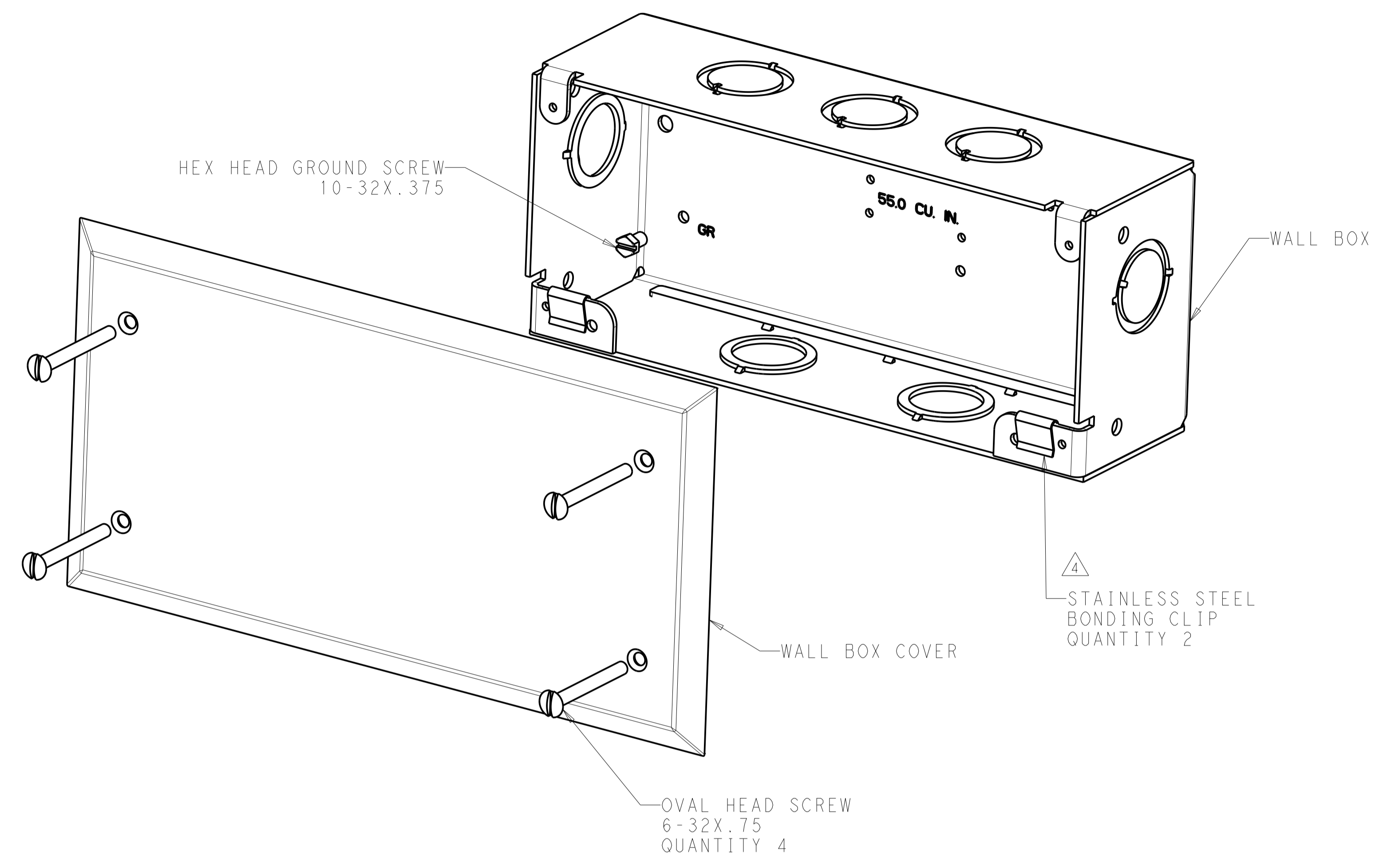
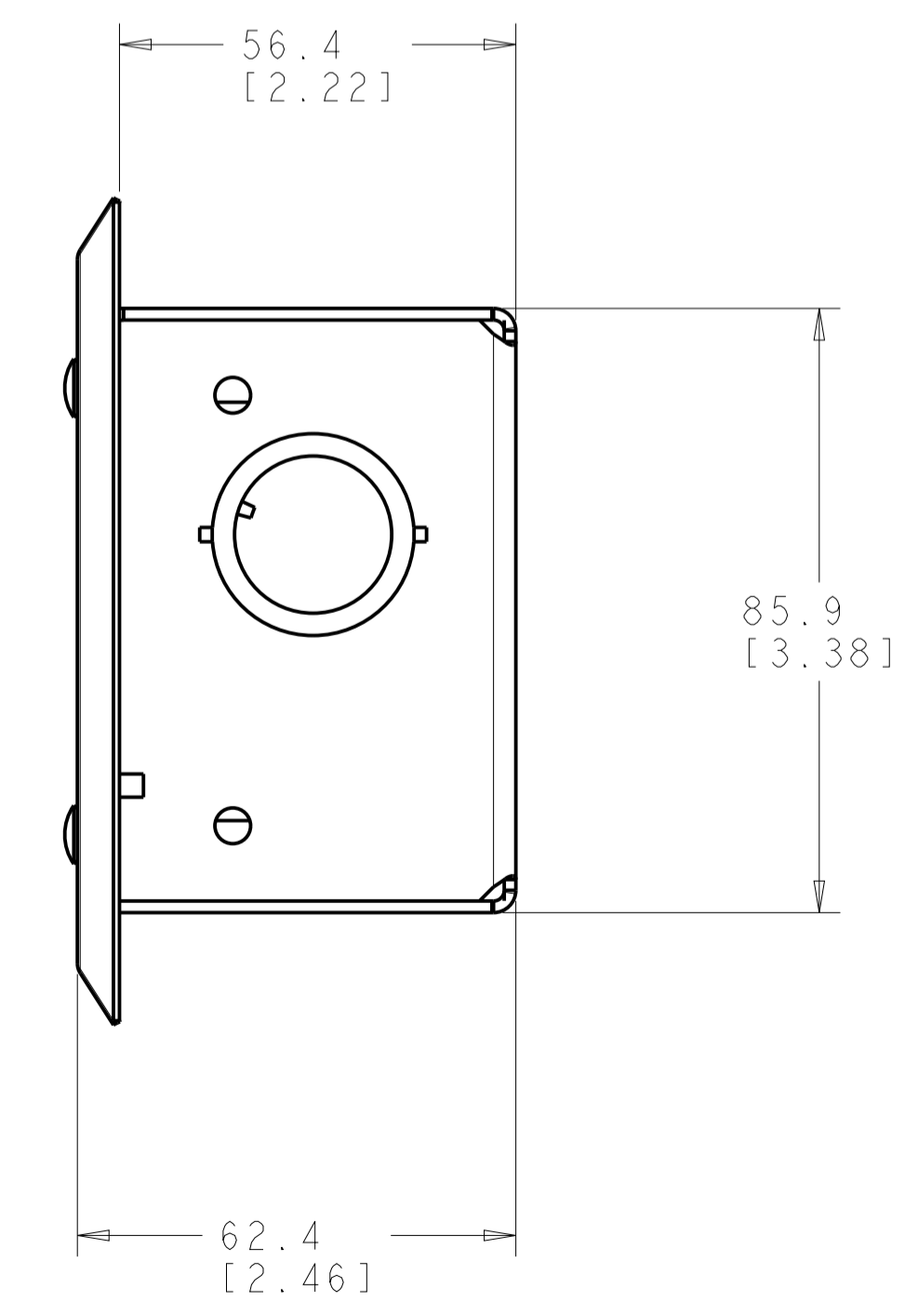
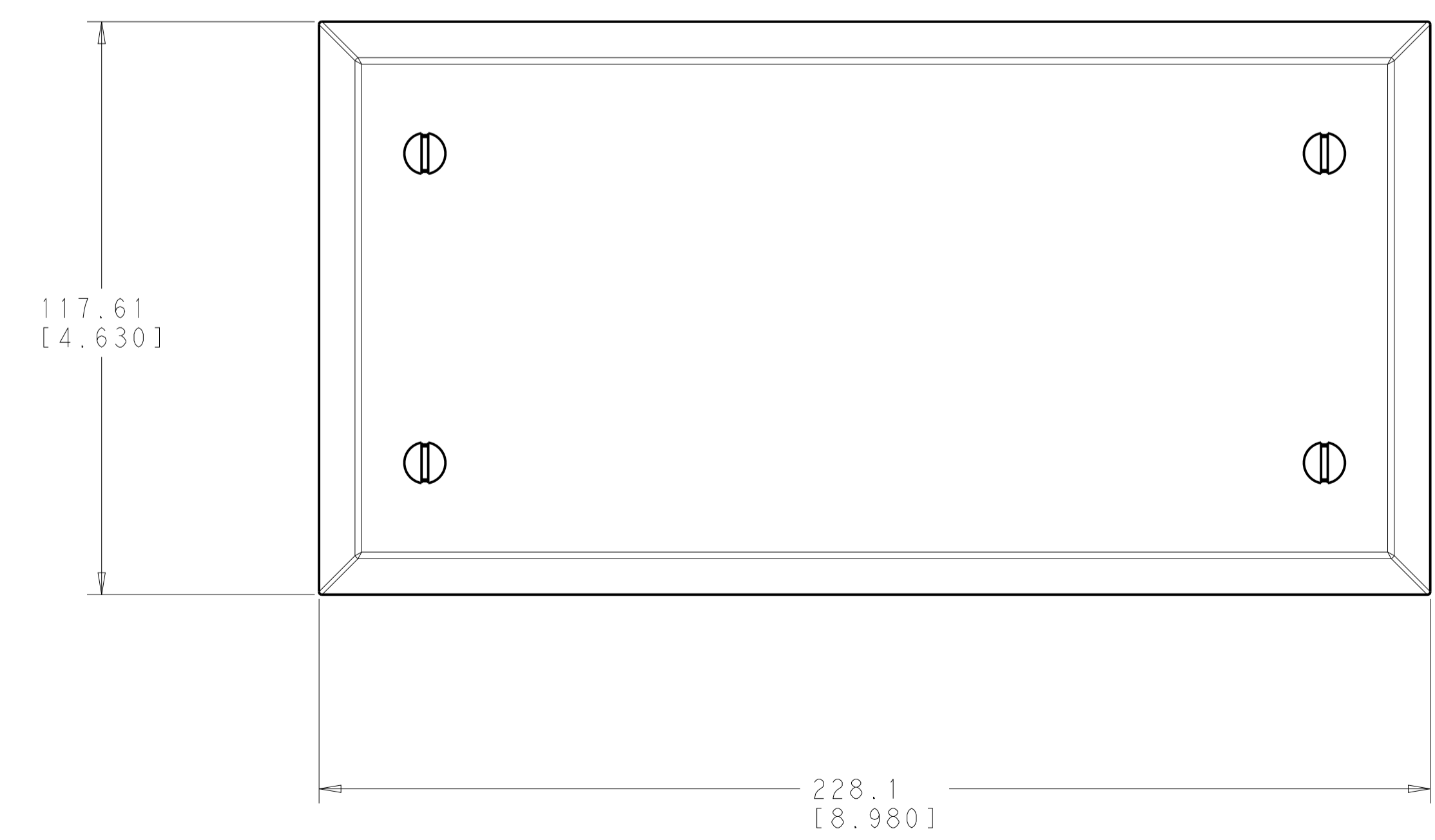


REVISIONS				
P.	LTN	DESCRIPTION	DATE	APP'D
A	RLSD;	ECO-10-005643	19MAR2010	GG S.J
B	REV PER	ECN 8000018168	18JAN2017	GG SA



- 1 MATERIAL:  
 BASE: GALVANIZED CARBON STEEL.  
 COVER: POWDER-COATED ALUMINUM.  
 HARDWARE: ZINC PLATED CARBON STEEL  
 CLIPS: STAINLESS STEEL.
- 2 ALL DIMENSIONS SHOWN ARE NOMINAL.
- 3 APPLICATION: USE WITH UNDERCARPET CABLING SYSTEM TO TRANSITION BETWEEN ROUND AND FLAT WIRING. BOX ACCEPTS ONE OF THE FOLLOWING (NOT INCLUDED):
- POWER TRANSITION BLOCK
  - COMMUNICATIONS TRANSITION BLOCK
- 4 USE STAINLESS STEEL BONDING CLIPS TO ATTACH TOP SHIELD 553536 TO BOX FOR POWER CABLING INSTALLATIONS.



GRAY	1375045-3
BLACK	1375045-1
COLOR	PART NUMBER

THIS DRAWING IS A CONTROLLED DOCUMENT.		DWN G. GARRETT 19MAR2010	COMMSCOPE, INC.	
DIMENSIONS: mm [INCHES]		CHK S. JONES 19MAR2010	KIT, WALL BOX WITH COVER, FLUSH MOUNT, UC	
TOLERANCES UNLESS OTHERWISE SPECIFIED:		APP'D S. JONES 19MAR2010	RESTRICTED TO	
0 PLC ±	1 PLC ±	PRODUCT SPEC	SIZE	CAGE CODE
2 PLC ±	3 PLC ±	APPLICATION SPEC	A 1	1375045
4 PLC ±	ANGLES ±	408-10412	SCALE	SHEET
MATERIAL	FINISH	WEIGHT	1:1	1 OF 1
CUSTOMER DRAWING		REV B		