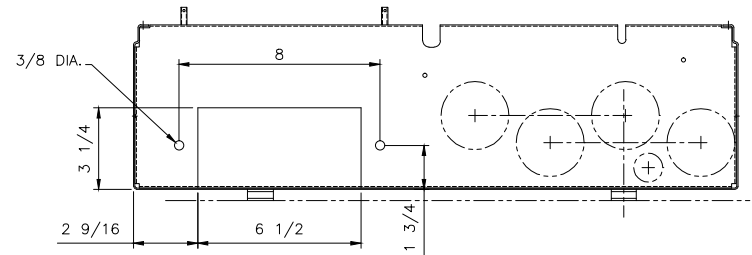
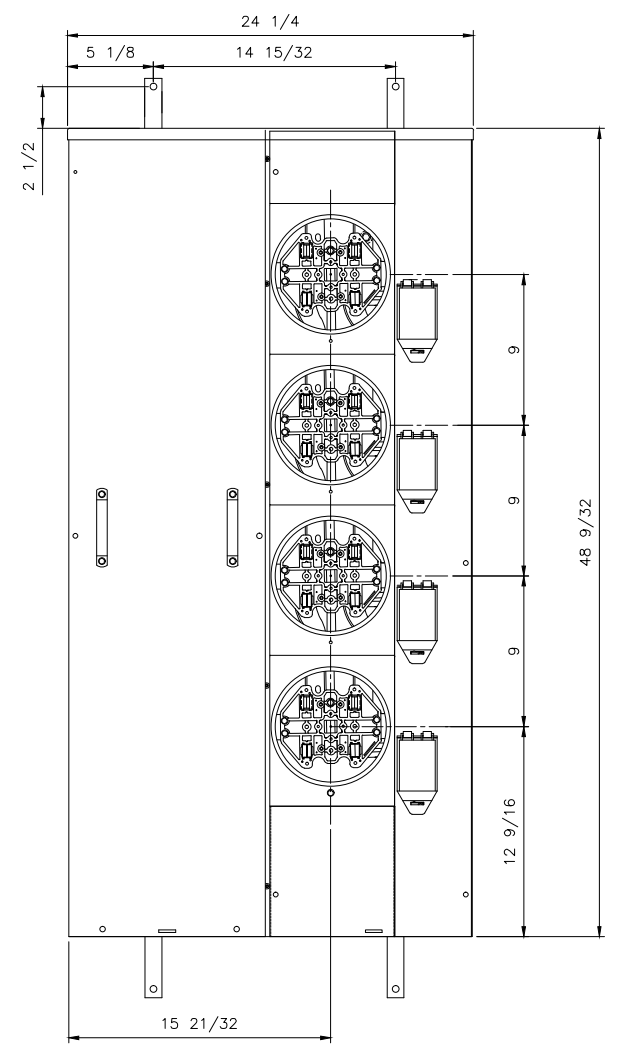
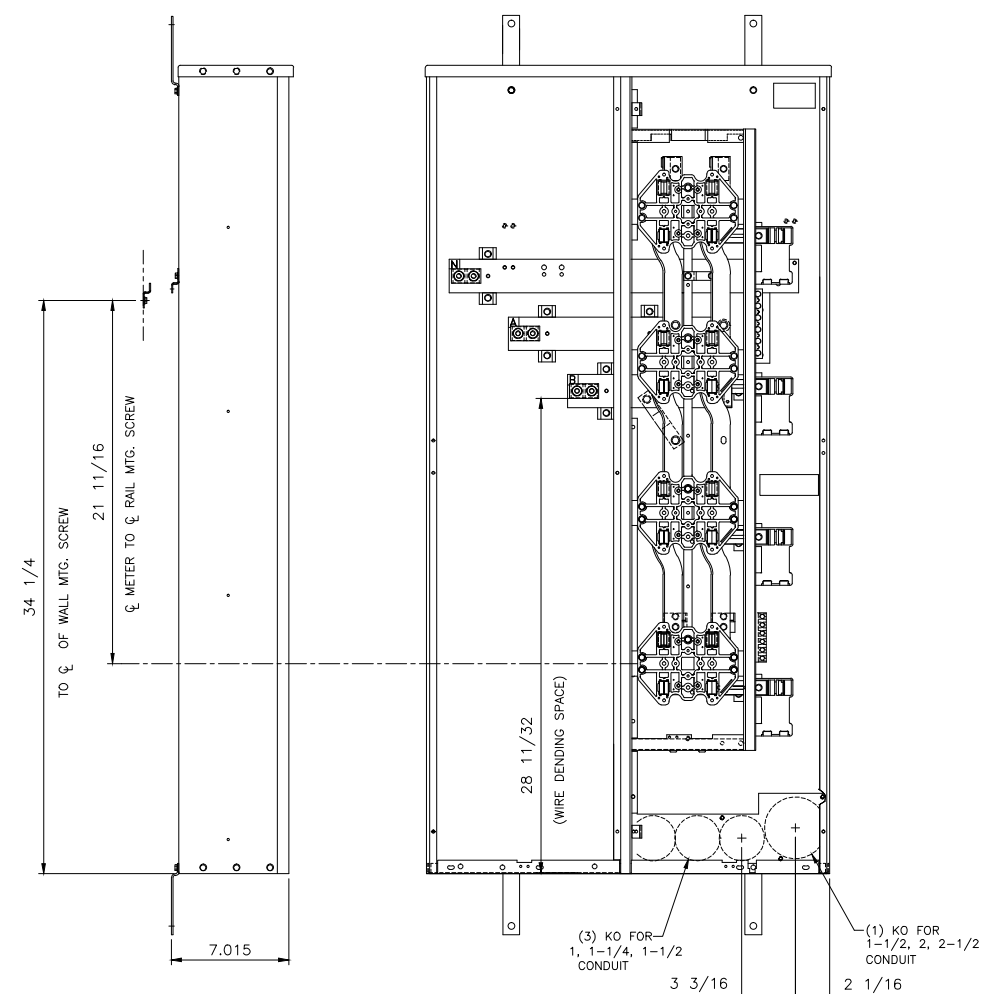
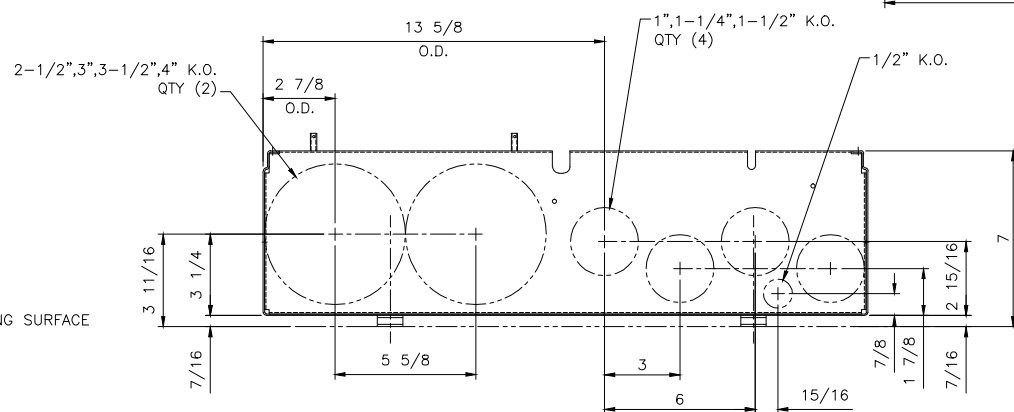


4 METER DEVICE
125A METER PACKS



BOTTOM ENDWALL KNOCKOUTS
 FOR UNITS WITH "T" SUFFIX



BOTTOM ENDWALL KNOCKOUTS
 1.5 X SCALE

FILE DESCRIPTION METER PACKS, DIMENSIONS, 125A, 4 METER DEVICE		DRAWN/DESIGNED M. CASTRO		DATE (YYYYMMDD) 2013/12/19	
THE INFORMATION ON THIS DRAWING IS DISCLOSED IN CONFIDENCE AND IS NOT TO BE REPRODUCED, USED OR DISCLOSED, EXCEPT FOR THE PURPOSE WHICH FURNISHED.					
 <small>Powering Realize the World</small> <small>© 2003 Eaton Corporation. All Rights Reserved.</small>		DRAWING NUMBER 96-5368	REVISION 002	SCALE N/A	SHEET 1 OF 1
<small>DWG. DPM_ACAD_WEB.DWG</small>					