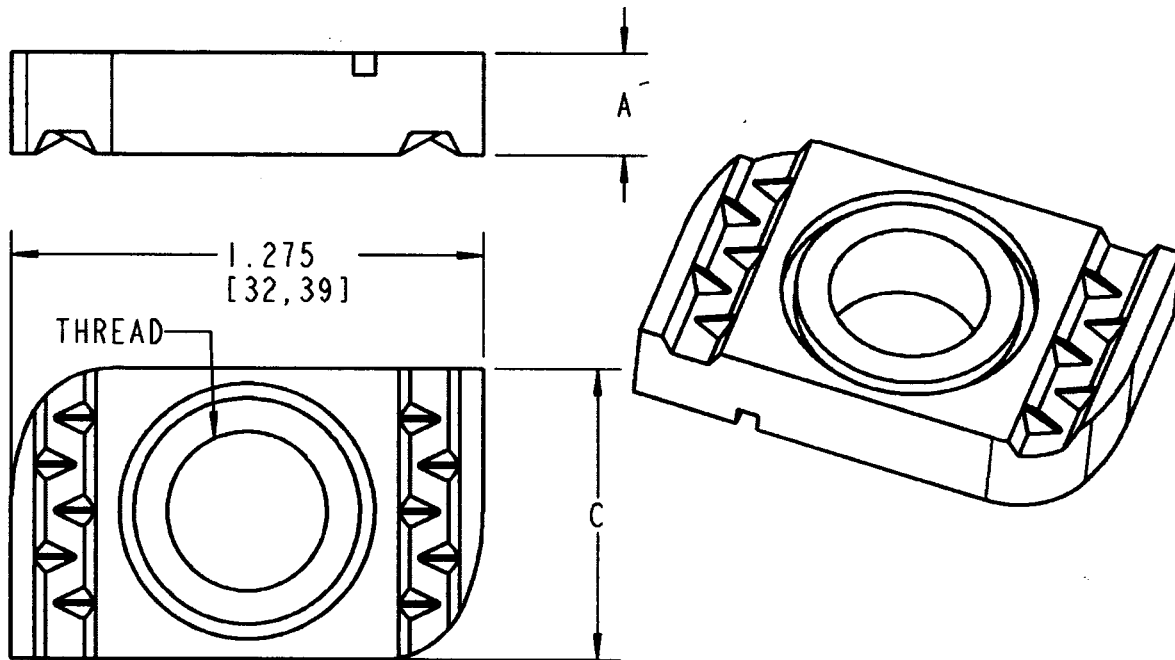


Kindorf



NOTES:

1. MATERIAL: CARBON STEEL
2. ALL CHANNEL NUTS SHALL BE ZINC PLATED WITH GALV-KROM® FINISH

B910 1/2	1/2" UNIVERSAL CHANNEL NUT	.358 (9.1)	.785 (19.9)	1/2"-13 UNC	GALV-KROM
B910 3/8	3/8" UNIVERSAL CHANNEL NUT	.358 (9.1)	.785 (19.9)	3/8"-16 UNC	GALV-KROM
B910 5/16	5/16" UNIVERSAL CHANNEL NUT	.358 (9.1)	.785 (19.9)	5/16"-16 UNC	GALV-KROM
B910 1/4	1/4" UNIVERSAL CHANNEL NUT	.238 (6.1)	.785 (19.9)	1/4"-20 UNC	GALV-KROM
CAT #	DESCRIPTION	DIM "A"	DIM "C"	THREAD	FINISH

GENERAL NOTES

1. ALL DIMENSIONS ARE FOR REFERENCE ONLY.
2. DIMENSIONS IN BRACKETS [] ARE IN METRIC UNITS.

REVISIONS

- SEE ERN (****) FOR APPROVAL SIGNATURES & RELEASE DATE. PROJECT NO: ****

Thomas & Betts
www.fab.com

DESCRIPTION:

UNIVERSAL CHANNEL NUT

ORIGINAL PROJECT NO / (ERN NO)

005D00094 / (2013203)

SHEET NO:

1 OF 1

REV. NO:

-

DRAWING NO:

WSD-001061