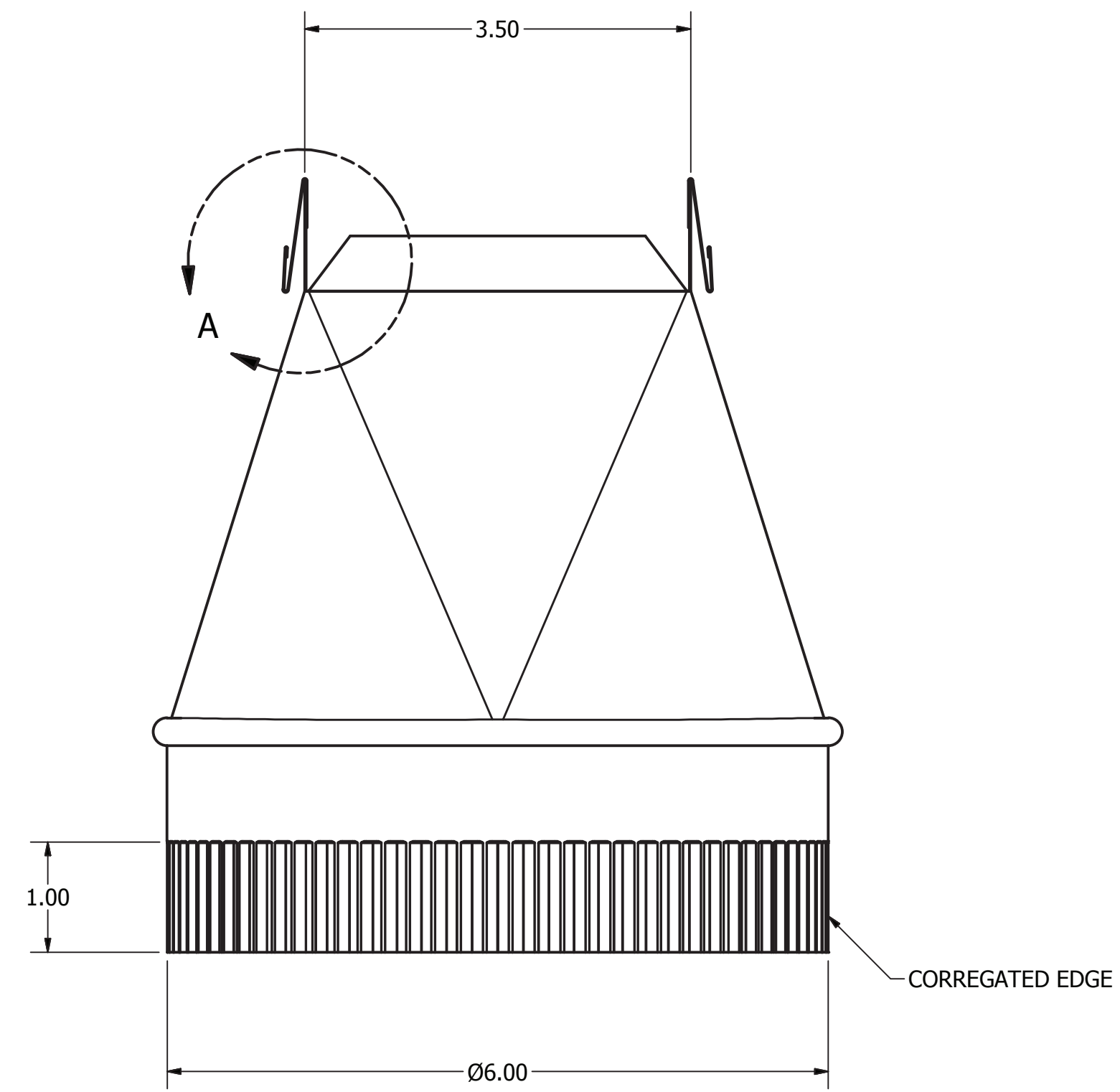
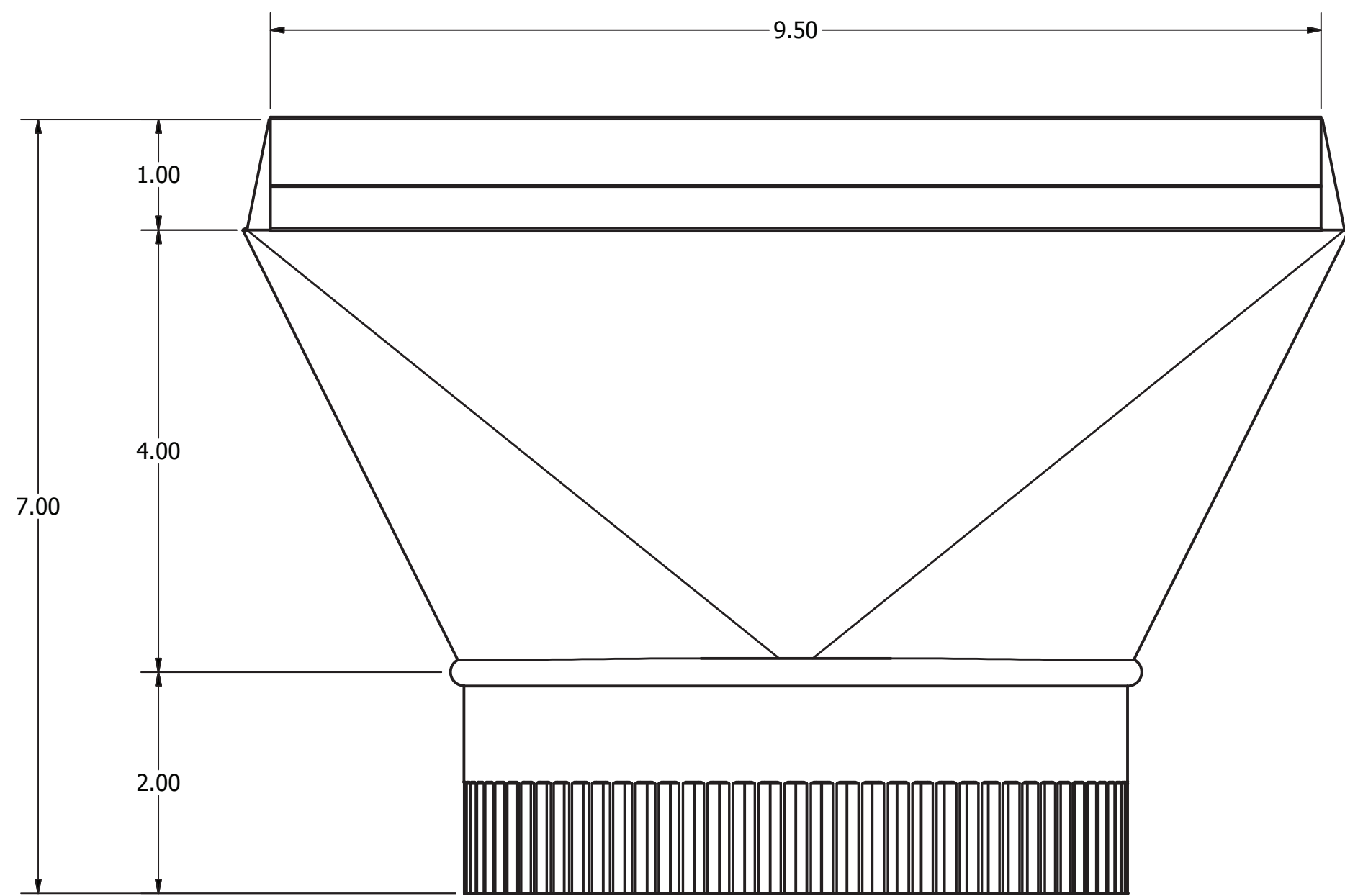
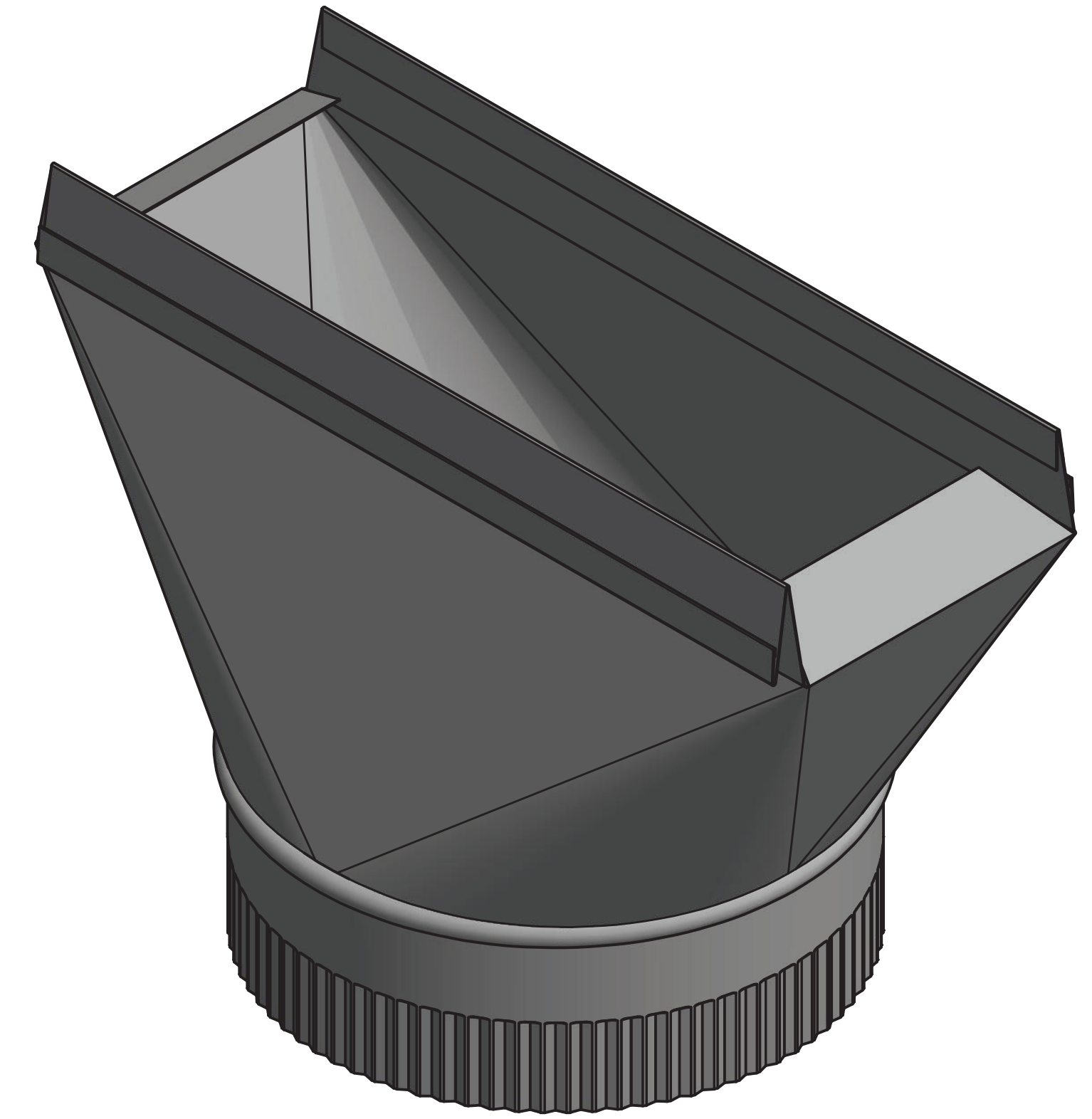


DETAIL A



DRAWN BY J. VALENTI		2/19/2017		LAMBRO INDUSTRIES, INC.	
TITLE					
137 - ADPATER					
SIZE	DWG NO			REV	
D	137			A	
NOT TO SCALE				SHEET 1 OF 1	

