

DESCRIPTION:

SNAPNRACK, HD STANDOFF KITS

DRAWN BY:

D.Ryan

SnapNrack™
Solar Mounting Solutions

PART NUMBER(S):

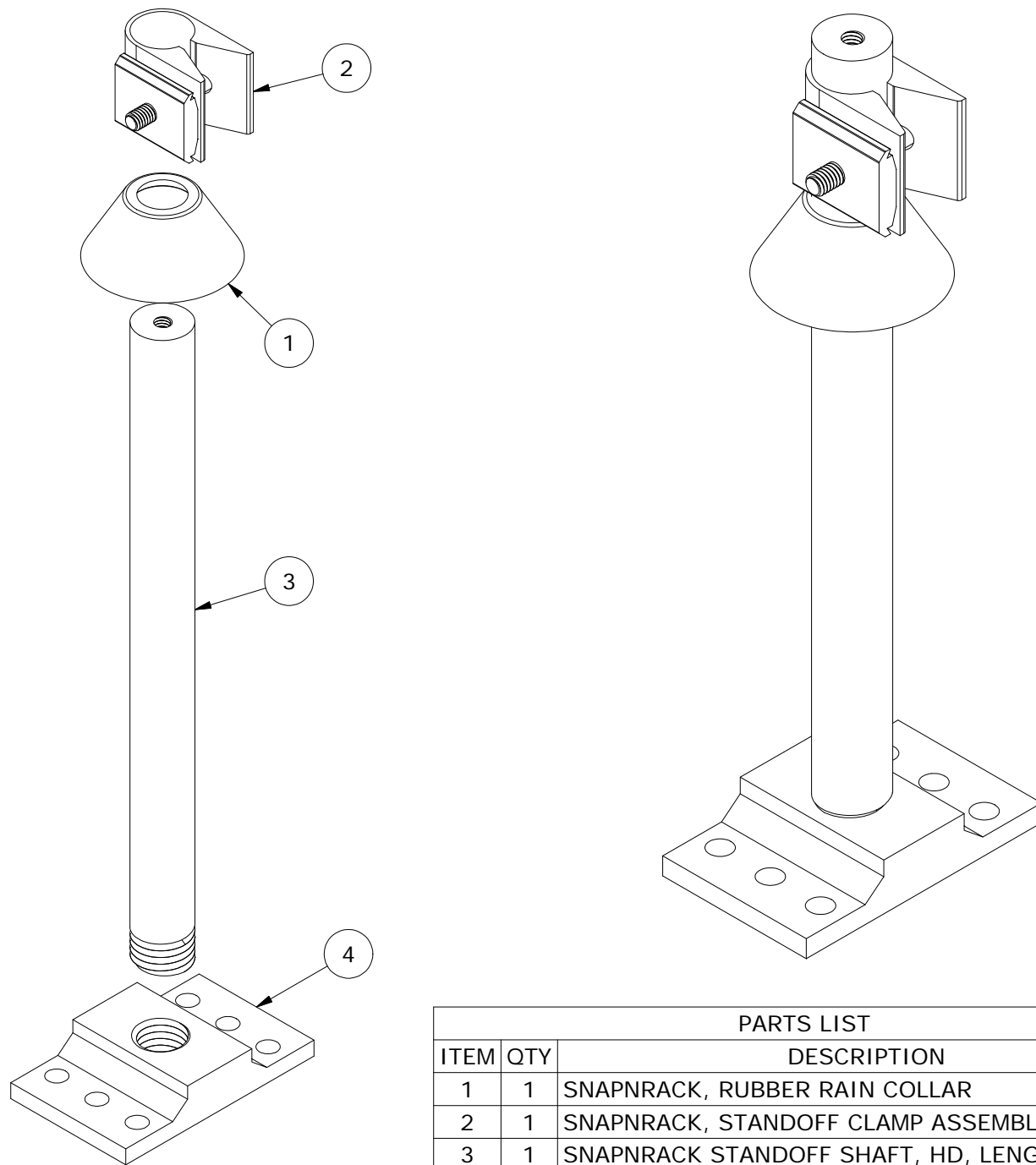
242-92073, 242-92074, 242-92075

REVISION:

A

595 MARKET STREET, 29TH FLOOR • SAN FRANCISCO, CA 94105 USA
PHONE (415) 580-6900 • FAX (415) 580-6902

THE INFORMATION IN THIS DRAWING IS CONFIDENTIAL AND PROPRIETARY. ANY REPRODUCTION, DISCLOSURE, OR USE THEREOF IS PROHIBITED WITHOUT THE WRITTEN CONSENT OF SUNRUN SOUTH LLC.



PARTS LIST

ITEM	QTY	DESCRIPTION
1	1	SNAPNRACK, RUBBER RAIN COLLAR
2	1	SNAPNRACK, STANDOFF CLAMP ASSEMBLY
3	1	SNAPNRACK STANDOFF SHAFT, HD, LENGTH VARIES
4	1	SNAPNRACK, HD STANDOFF BASE, 6-HOLE

MATERIALS:

6000 SERIES ALUMINUM, STAINLESS STEEL

OPTIONS:

DESIGN LOAD (LBS):

600 UP, 1,082 DOWN, 250 SIDE

ULTIMATE LOAD (LBS):

1,216 UP, 1,575 DOWN, 454 SIDE

TORQUE SPECIFICATION:

10+ LB-FT

CERTIFICATION:

UL 2703, FILE E359313

WEIGHT (LBS):

1.16 - 1.94

DESCRIPTION:

SNAPNRACK, HD STANDOFF KITS

DRAWN BY:

D.Ryan

SnapNrack™
Solar Mounting Solutions

PART NUMBER(S):

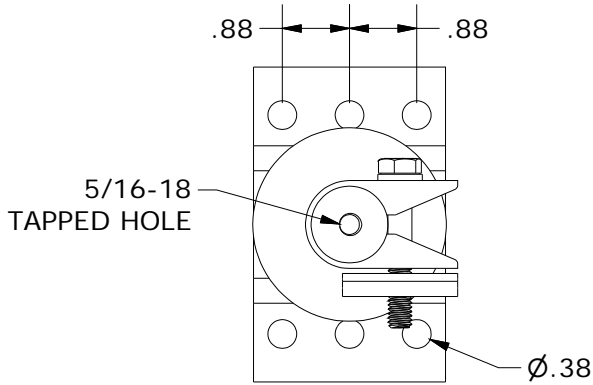
242-92073, 242-92074, 242-92075

REVISION:

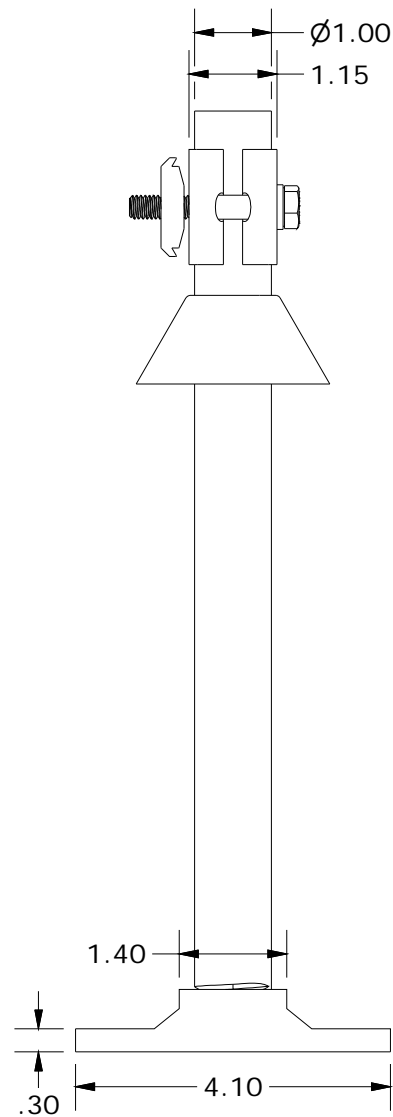
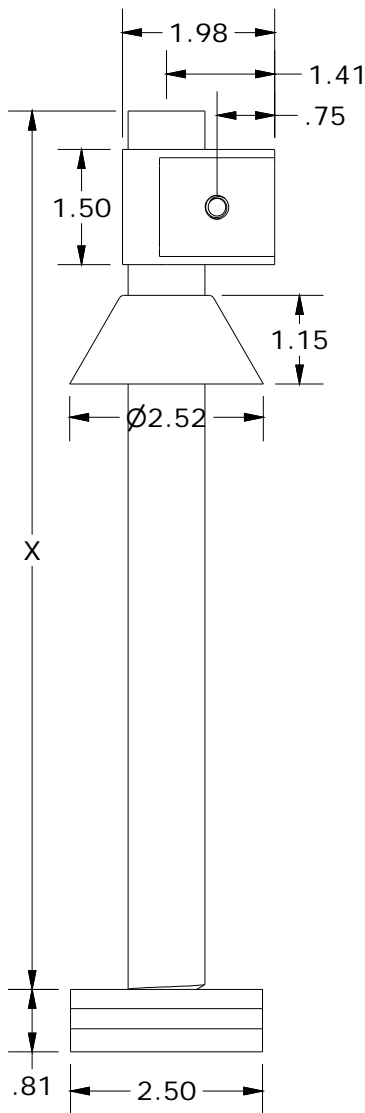
A

595 MARKET STREET, 29TH FLOOR • SAN FRANCISCO, CA 94105 USA
PHONE (415) 580-6900 • FAX (415) 580-6902

THE INFORMATION IN THIS DRAWING IS CONFIDENTIAL AND PROPRIETARY. ANY REPRODUCTION, DISCLOSURE, OR USE THEREOF IS PROHIBITED WITHOUT THE WRITTEN CONSENT OF SUNRUN SOUTH LLC.



STANDOFF PROPERTIES	
SKU	STANDOFF LENGTH (X)
242-92073	6.37"
242-92074	11.37"
242-92075	17.37"



ALL DIMENSIONS IN INCHES