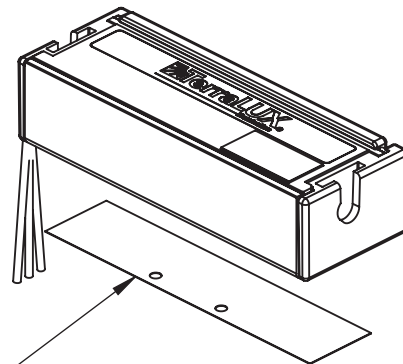
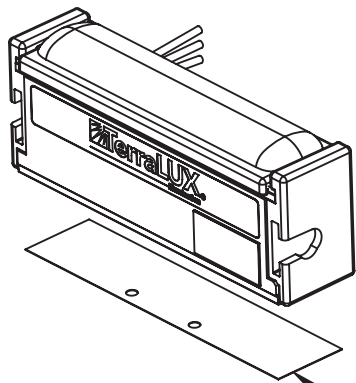
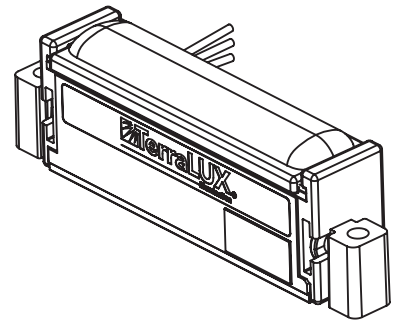
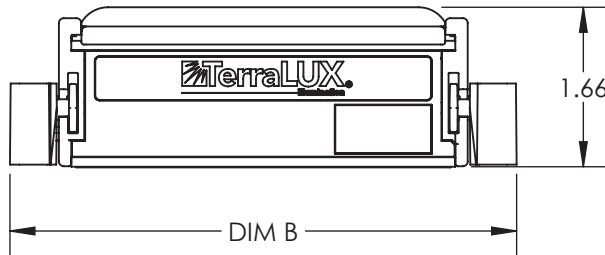
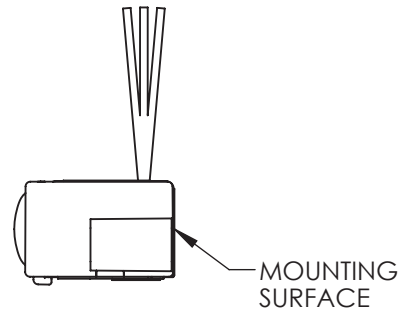
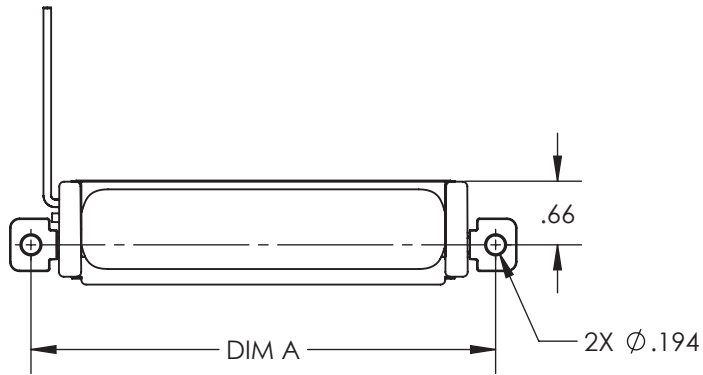


MODULE	DIM A
4"	4.26
6"	6.26
8"	8.26

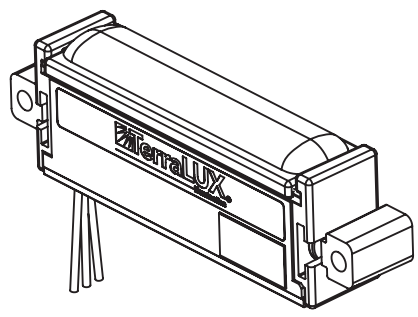
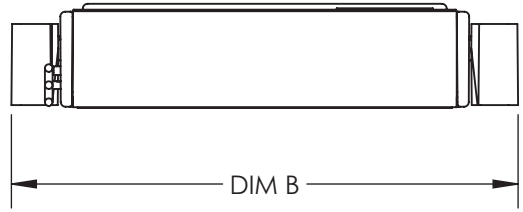
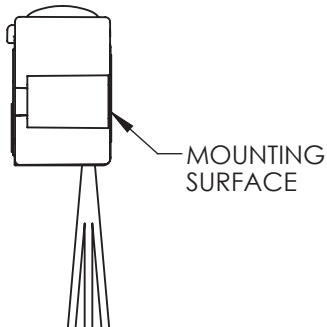
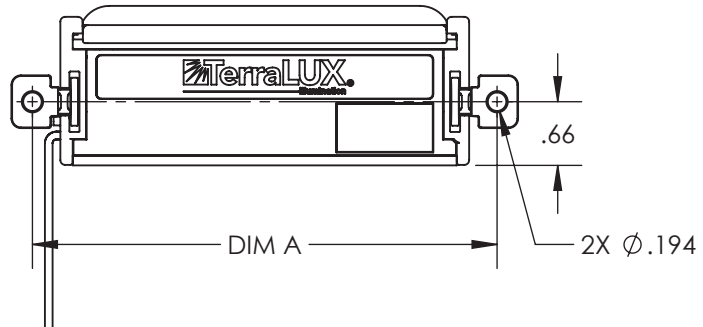
LINEAR MODULE DIMENSIONS



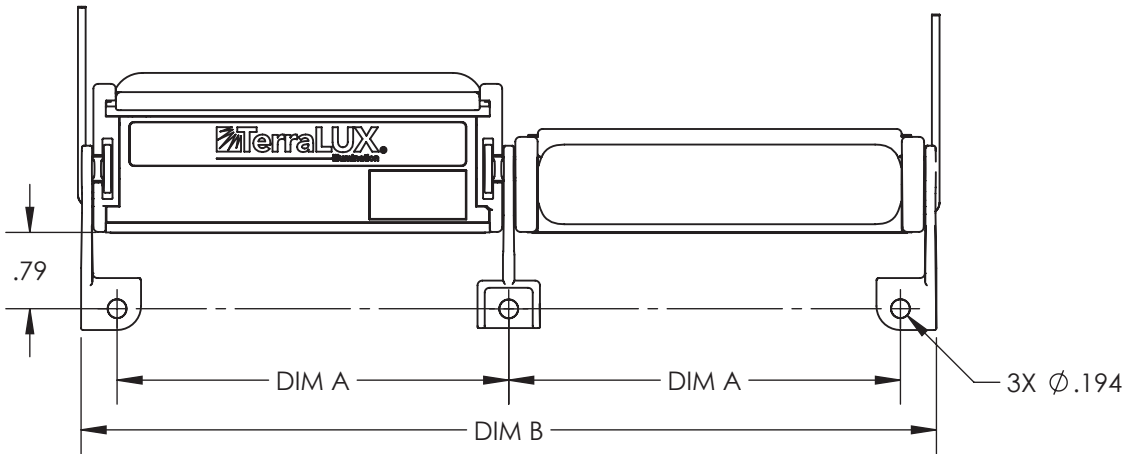
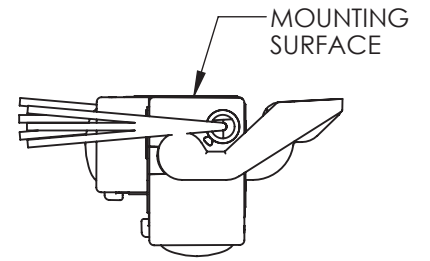
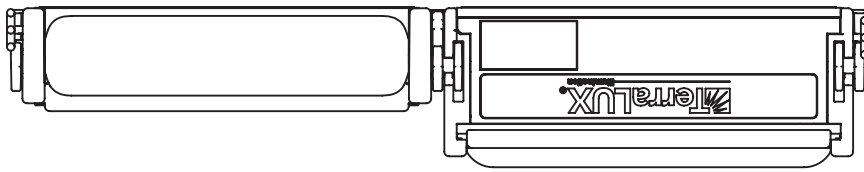
THERMAL PAD
INCLUDED FOR ATTACHMENT
TO LIGHT FIXTURE



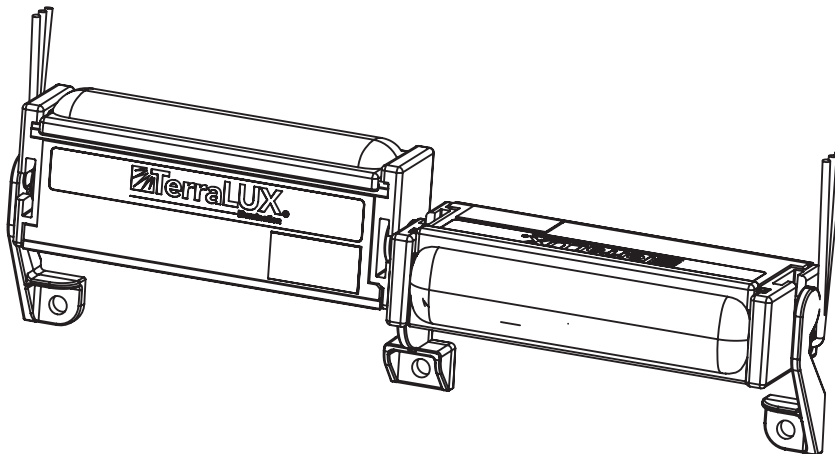
MODULE	DIM A	DIM B
4"	4.84	5.28
6"	6.84	7.28
8"	8.84	9.28



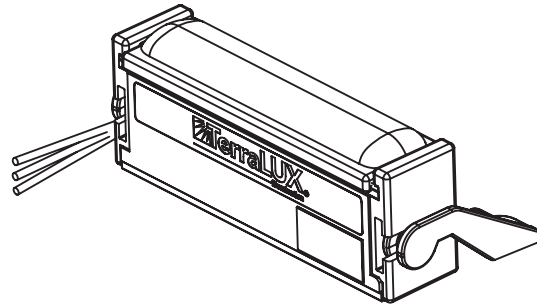
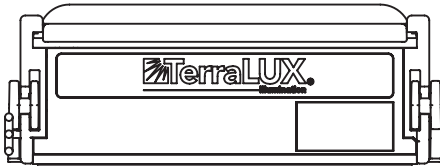
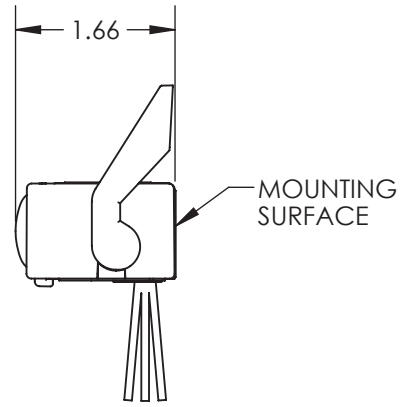
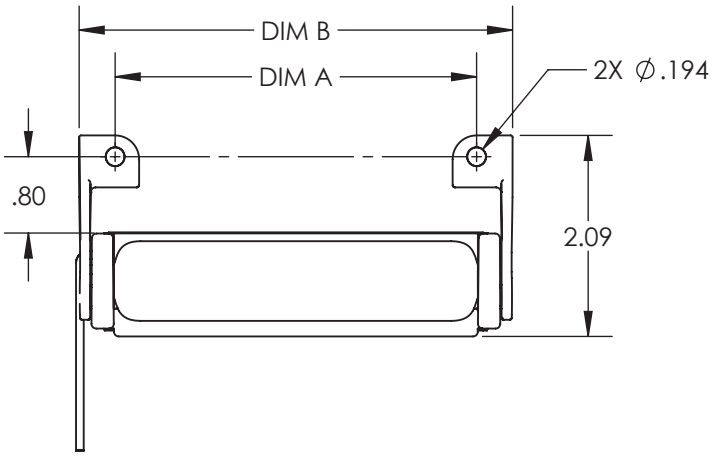
STRAIGHT MOUNT OPTIONS



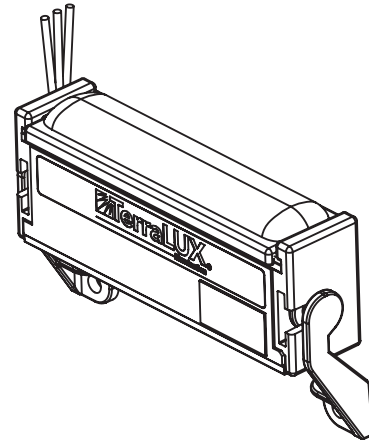
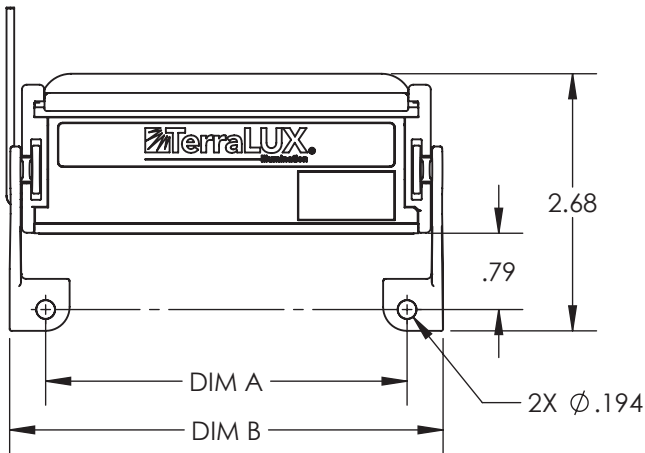
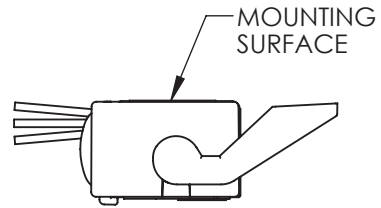
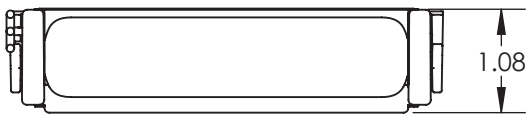
MODULE	DIM A	DIM B
4"	4.08	8.9
6"	6.08	10.9
8"	8.08	12.9



MULTI-PIVOT MOUNT OPTION



MODULE	DIM A	DIM B
4"	3.78	4.51
6"	5.78	6.51
8"	7.78	8.51



OFFSET MOUNT OPTIONS