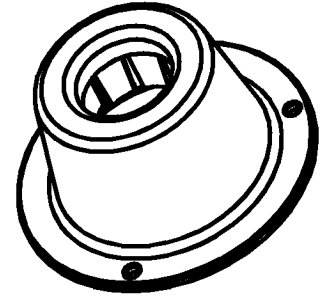
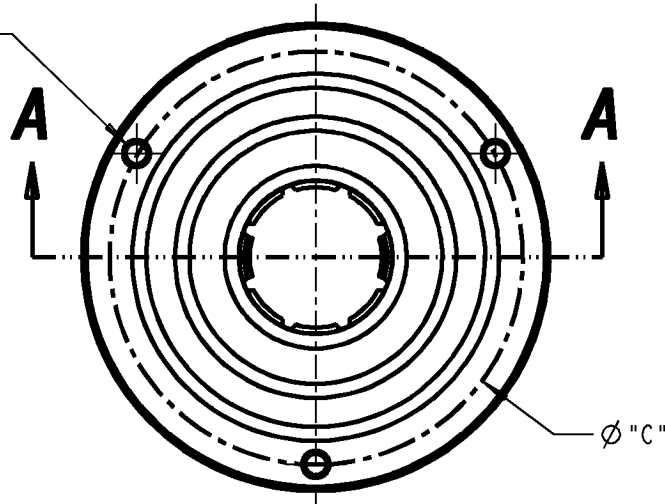
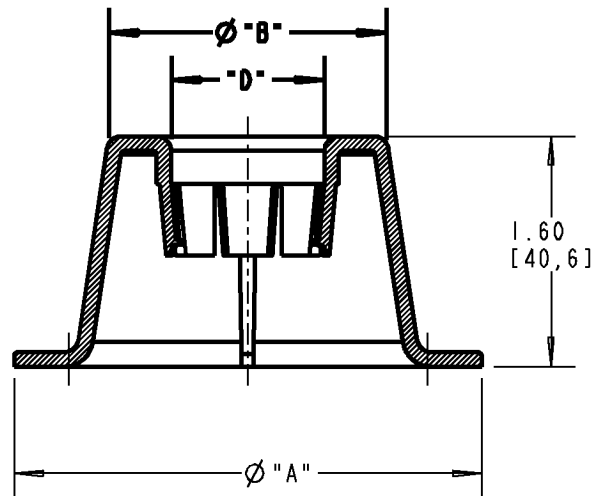


Carlton®

Ø .15
[3,8]
3 PLACES



P/N A210E SHOWN



SECTION **A-A**

PART NO.	SIZE	Ø "A"	Ø "B"	Ø "C"	"D" ENT SIZE
A210D	1/2"	3.25 [82.6]	1.93 [49]	2.88 [73.2]	1/2"
A210E	3/4"	3.25 [82.6]	1.93 [49]	2.88 [73.2]	3/4"
A210F	1"	3.74 [95]	2.25 [57.2]	3.22 [81.8]	1"

NOTE:

1. MATERIAL IS BLUE THERMOPLASTIC
2. SNAPS DESIGNED TO SECURE CONDUIT TEMPORARILY, NOT DESIGNED TO MEET UL FITTING SECURENESS TEST.
3. NOT UL LISTED

GENERAL NOTES

1. ALL DIMENSIONS ARE FOR REFERENCE ONLY.
2. DIMENSIONS IN BRACKETS [] ARE IN METRIC UNITS.

REVISIONS

*** SEE ERN (****) FOR APPROVAL SIGNATURES & RELEASE DATE.
PROJECT NO: ****

Thomas & Betts
www.tnb.com

DESCRIPTION:

STUB DOWN

ORIGINAL PROJECT NO / (ERN NO)

/ ()

SHEET NO:

1 OF 1

REV. NO:

A

DRAWING NO:

WSD-AC04390