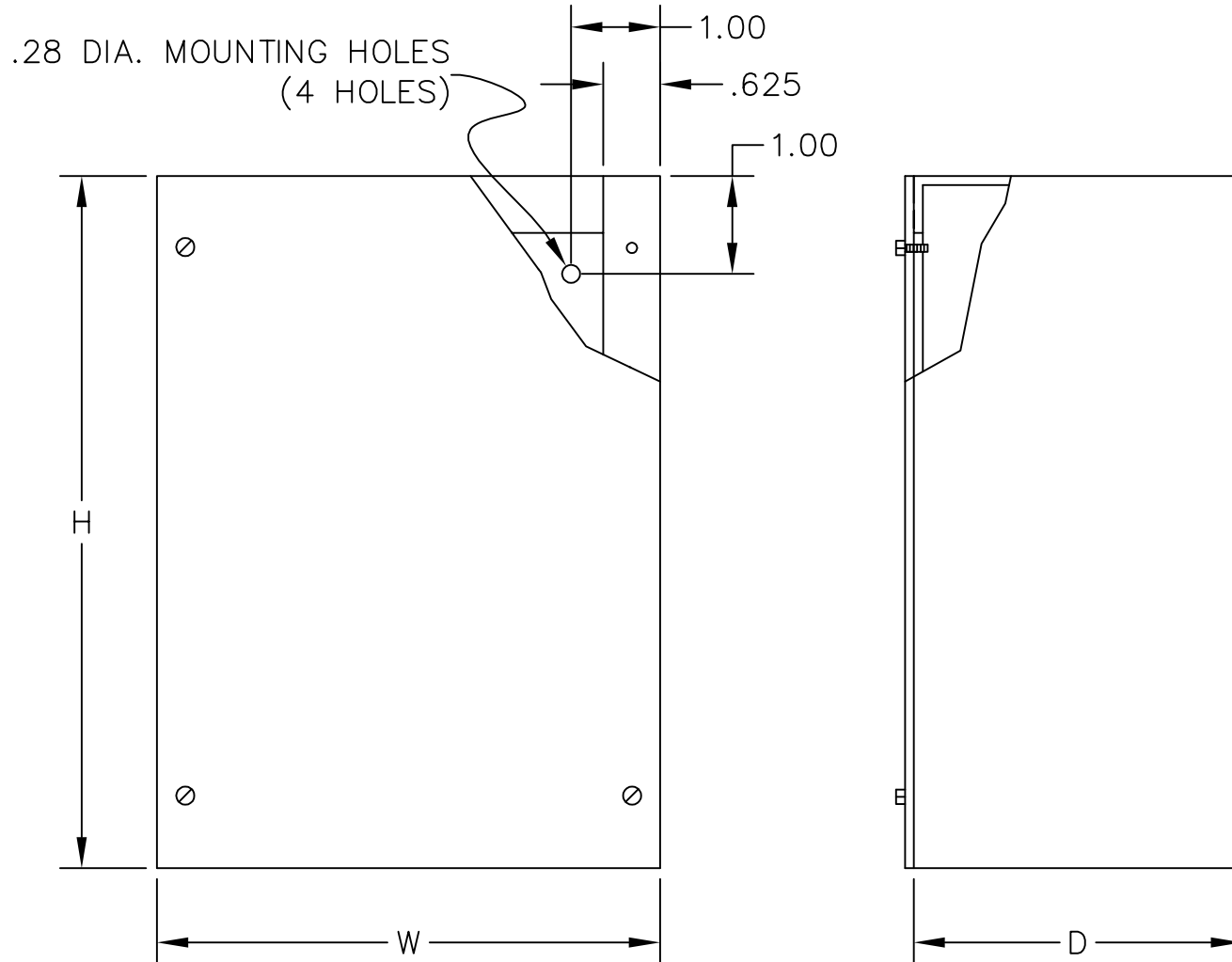


CATALOG # SC

UL LISTED

CANADIAN UL LISTED



TYPE 1 SCREW COVER BOXES

APPLICATION:  
 -DESIGNED FOR USE AS JUNCTION AND PULL BOXES. FOR FLUSH INSTALLATIONS, FLUSH COVERS AND TELEPHONE FRONTS MUST BE ORDERED SEPARATELY.

CONSTRUCTION  
 -FABRICATED IN ACCORDANCE WITH UL SPECIFICATIONS FROM CODE GAUGE STEEL.  
 -FLAT, REMOVABLE COVERS FASTENED WITH PLATED STEEL SCREWS.  
 -MOUNTING HOLES ON BACK OF BOX.

FINISH  
 -SCREW COVER BOXES ARE PROVIDED IN G-90U GALVANIZED AND ANSI 61 GRAY POLYESTER POWDER COATING.

-H-	-W-	-D-

APPROVAL:



E-BOX

101 Air Park Industrial Road  
 Alabaster, Alabama 35007  
 Phone: (205)663-9189  
 Fax: (205)663-9587

