

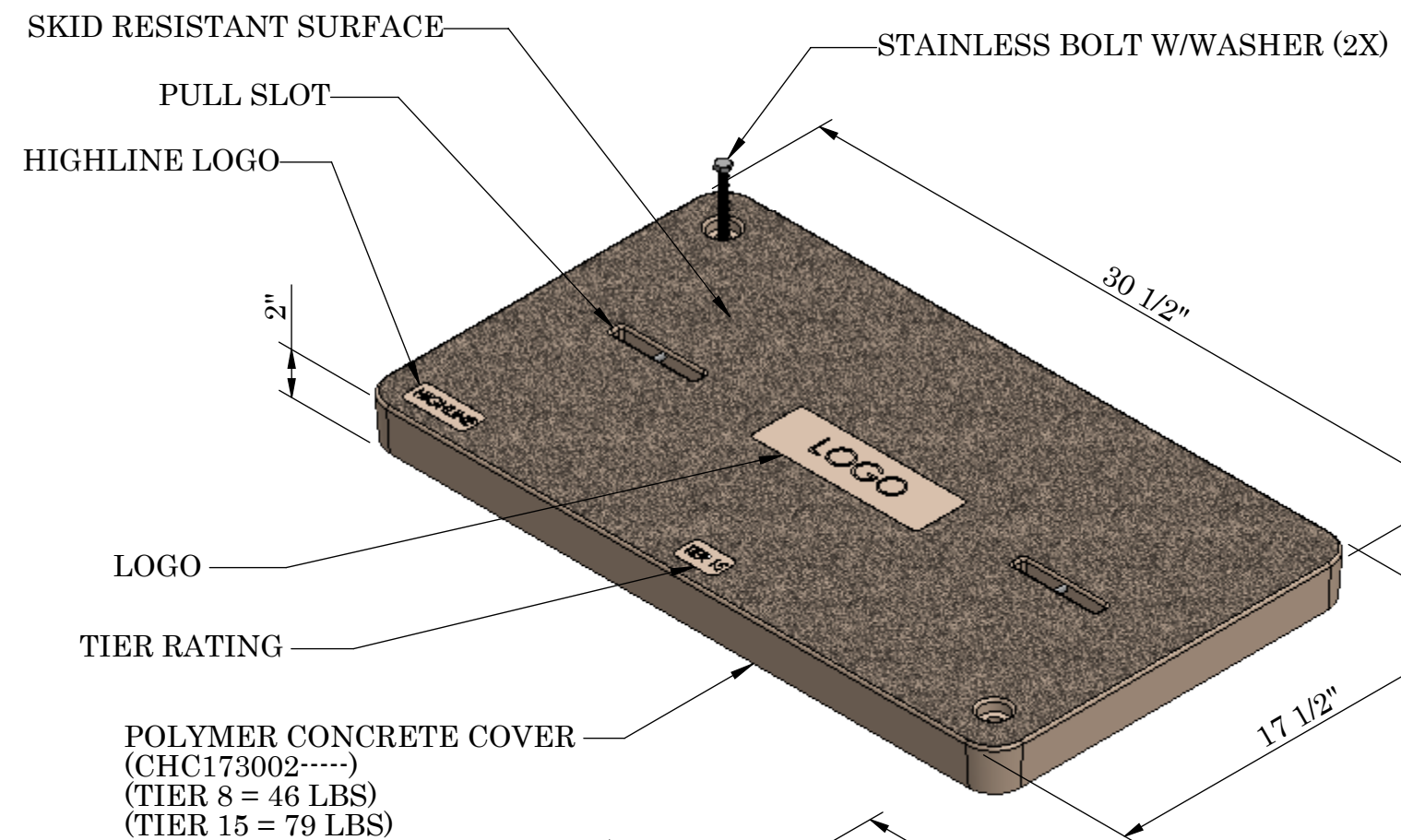
TOP VIEW OF BOX

NOTES :

1. LOGO: COMES IN A VARIETY OF STANDARD LOGOS. IE: "ELECTRIC", "WATER", "COMMUNICATIONS". CUSTOM LOGOS CAN BE PRODUCED. CONTACT CUSTOMER SERVICE FOR MORE LOGO INFORMATION (ORDERS@MACLEANHIGHLINE.COM)
2. FOR KNOCKOUTS, MOUSE HOLES, OR ANY OTHER SPECIAL REQUESTS. PLEASE CONTACT CUSTOMER SERVICE. (ORDERS@MACLEANHIGHLINE.COM)
3. CUSTOM PART NUMBER SHALL BE ASSIGNED FOR CUSTOMER SPECIFIC REQUIREMENTS.
4. ALL WEIGHTS ARE APPROXIMATE.
5. PRODUCT ASSEMBLY LABELING LISTED BELOW:

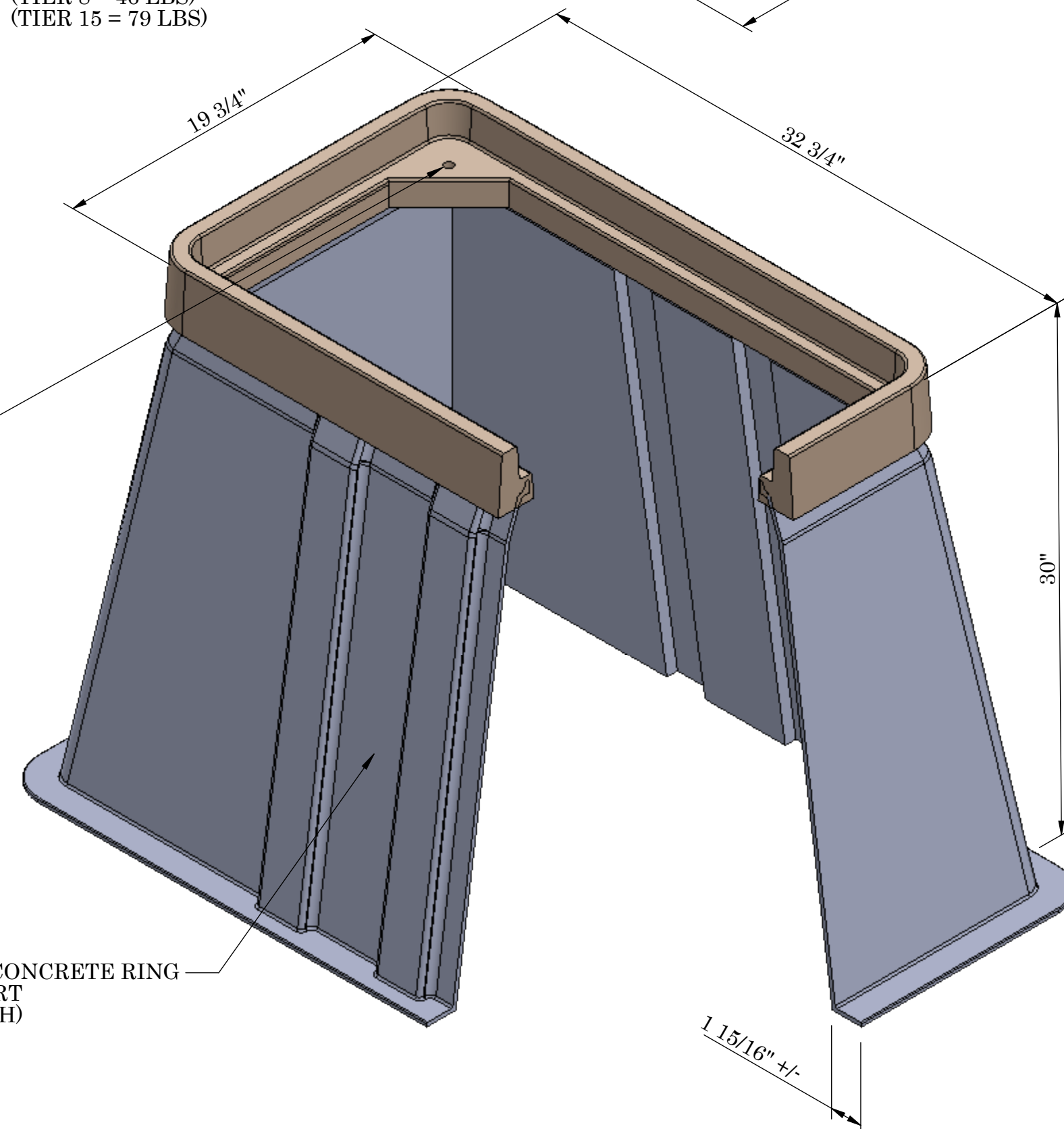
SIZE	TIER RATING	LOGO	HARDWARE
CHA173030 17" WIDTH x 30" LENGTH x 30" DEPTH	S= TIER 8	B00 = BLANK FLAT TOP	1 = 3/8" PENTA BOLT
	H = TIER 15	E00 = ELECTRIC	2 = 3/8" HEX BOLT
		M00 = COMMUNICATIONS	
		300 = 2"x8"x1/4" DEEP BLANK	
		??? = CUSTOM LOGO OPTION	

CHA173030 H E00 2



BRASS NUT ASSEMBLY

POLYMER CONCRETE RING W/ FRP SKIRT (CHB173030H) (105 LBS)



ISOMETRIC VIEW

This drawing contains confidential information that is the property of MacLean Power, L.L.C. ("MacLean"). Use of MacLean's confidential information without MacLean's express written consent is strictly prohibited and may expose you to legal liability. If you believe that you received this material in error, please destroy it or return it to "MacLean Power, L.L.C., 481 MUNN ROAD SUITE 300, FORT MILL, SC 29715, USA."



DRAWING NUMBER: CHA173030-----	DO NOT SCALE DRAWING
SHEET NAME: 1 OF 1	CAD GENERATED DRAWING DO NOT MANUALLY UPDATE DESIGN DATE: 10/6/17
DRAWING DESCRIPTION: TIER 8 (S) 8,000lbs TIER 15 (H) 15,000lbs	DRAWN BY: CB CHECKED: WHO APPROVED: WHO
DRAWING SCALE: NTS	REV: A
FILE NAME: CHA173030H0002 8-30-17	REV DATE: 10/6/17