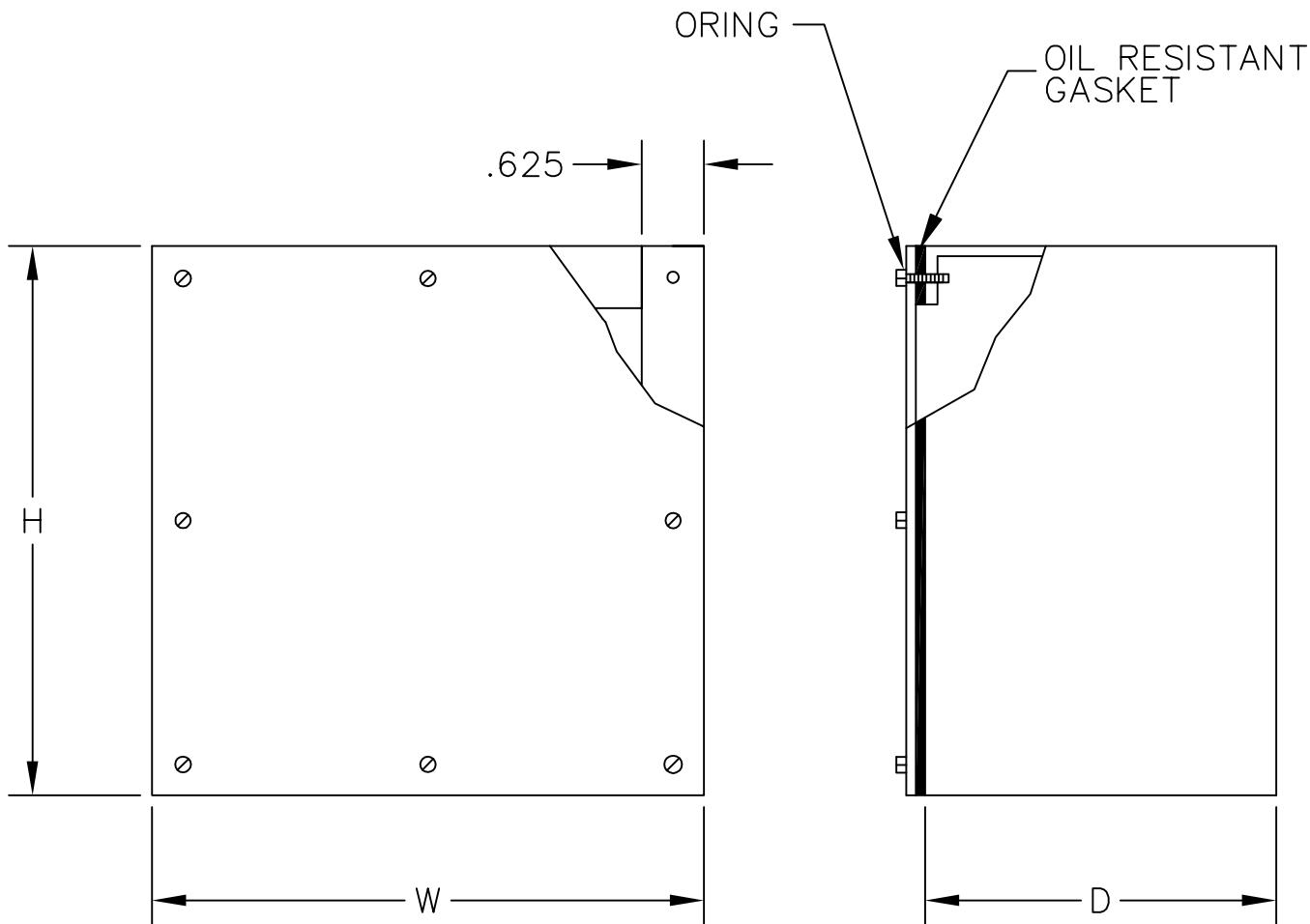


NOTE: THE MAXIMUM DISTANCE BETWEEN SCREWS IS 12.25".



CONSTRUCTION:
 - CODE GAUGE G-90U
 GRADE GALVANIZED STEEL.
 - SEAMS CONTINUOUSLY
 WELDED AND GROUND
 SMOOTH.
 - REMOVABLE COVER
 FASTENED WITH PLATED
 STEEL SCREWS.

FINISH:
 - EB&E GASKETED SCREW
 COVER BOXES ARE PRO-
 VIDED STANDARD IN
 GALVANIZED STEEL G-90U.

-H-	-W-	-D-

APPROVAL: _____

TYPE 3 AND TYPE 12 GASKETED SCREW COVER



E-BOX
 101 Air Park Industrial Road
 Alabaster, Alabama 35007
 Phone: (205)663-9189
 Fax: (205)663-9587

