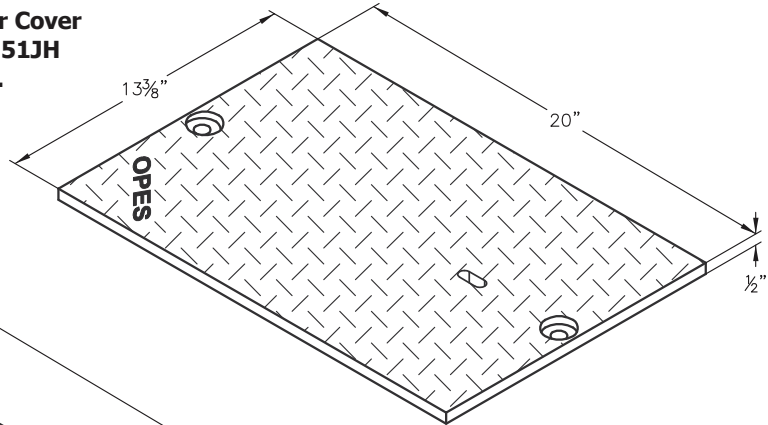
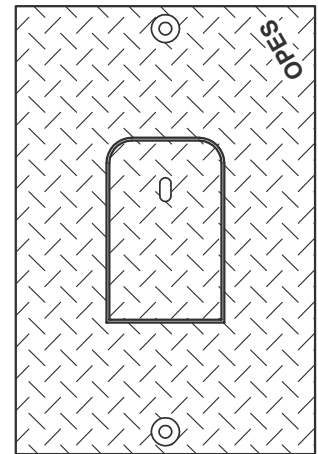
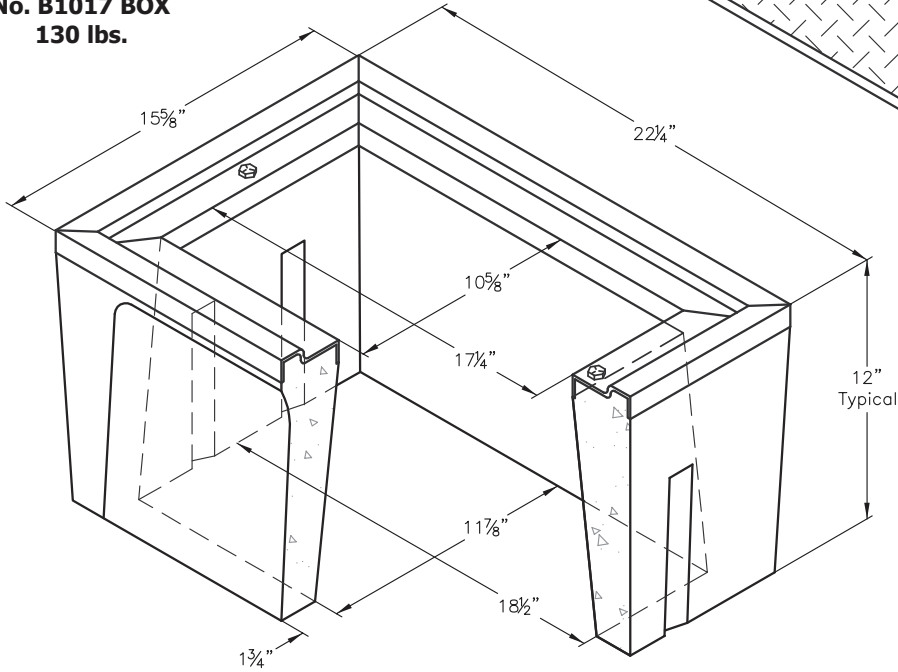


Traffic Box
Caltrans No. 3-1/2T State Specs

Steel Checker Cover
No. B1017-51JH
44 lbs.



Traffic Box
No. B1017 BOX
130 lbs.



B1017-51GH

A high density reinforced concrete box with non-settling shoulders positioned to maintain grade and facilitate back filling. Hex-Head Bolts are included with Box. Approximate dimensions and weight shown.

Oldcastle Ordering Code	Item	Approx. Shipping Weight	Description
B1017BOX	BOX	130 lbs.	B1017 Utility Box (10 5/8" x 17 1/4") H/20 Loading w/ Bolts - 20 per pallet
B1017-51JH	COVER	44 lbs.	Steel Checker Plate, H/20, Bolt Down
B1017-51GH	COVER	46 lbs.	Steel Checker Plate, H/20 with 5" x 8" Reading Lid
B1017X12	EXTENSION	129 lbs.	12" Reinforced Concrete H/20 Loading - 20 per pallet
B9SL	SLAB	32 lbs.	Reinforced Concrete (13 1/4" x 19 3/4")

Galvanizing available on all steel covers



Oldcastle Precast®
Enclosure Solutions

Phone: (800) 486-7070 Fax: (800) 486-6804
 Copyright© 2011 Oldcastle Precast Inc.

B1017 BOX

FILE NAME: B1017_ISO

ISSUE DATE: January, 2011

www.oldcastleprecast.com

B1017 BOX H/20 LOADING
10-5/8" x 17-1/4"

