
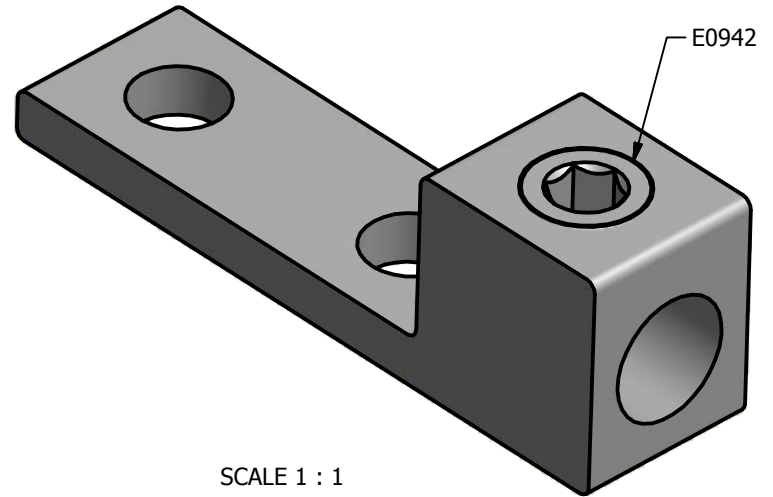
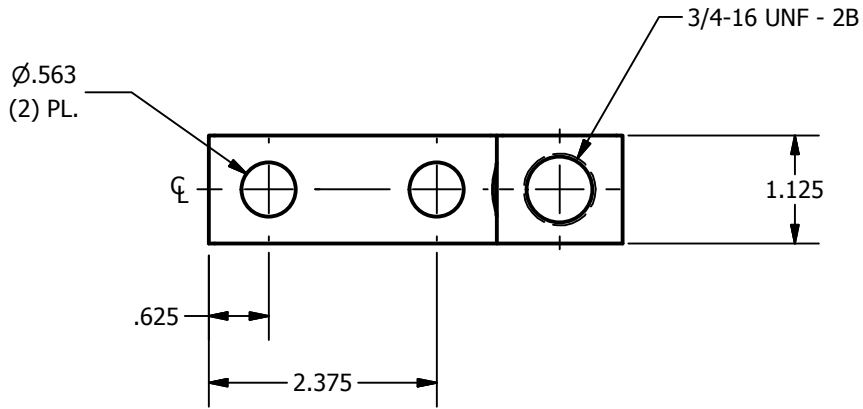


SCREW: E0942	MATERIAL: ALUMINUM	REV: P		
CAT. NO.: TA-350-2NS	PLATING: EL-TIN	DRAWN BY: NN		
INFORMATION SHEET: FORM 1	MARKING: ILSCO, TA-350-2NS, 350MCM-6, AL9CU	DATE: 12/11/2007	SIZE: A	800-776-9775 www.ilsco.com
			DWG. NO. D2208-23	
			SHEET: 1 OF 1	



SCALE 1 : 1

