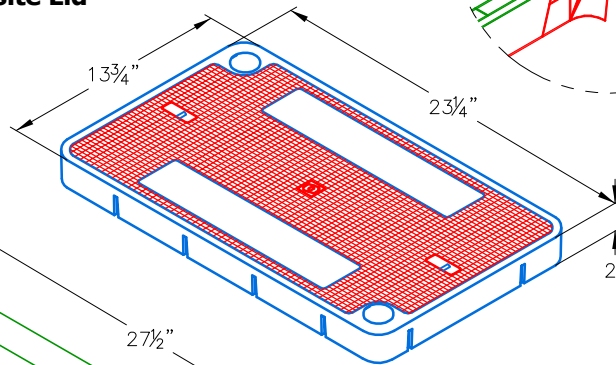


- Etched polypropylene face
- Face anchored in concrete
- Ultra-violet inhibitor
- Exceeds ASTM-D1693 Standards for Environmental Stress Cracking Resistance
- Meets Caltrans #5 State Specifications

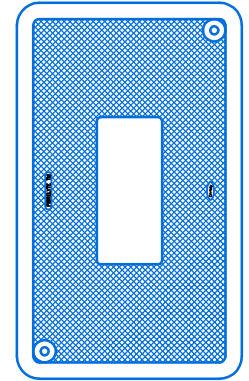
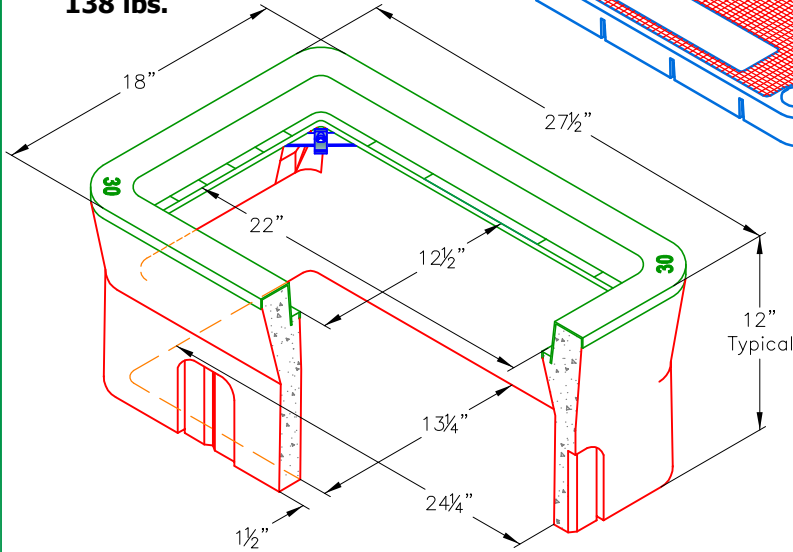
Cast-In Bolt
Down Bracket

N90 Clip, For
Bolt Down
Application

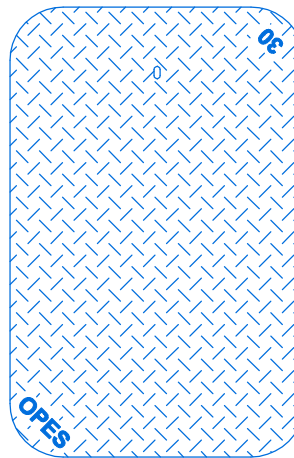
**R-Series Composite Lid
No. N30R
44 lbs.**



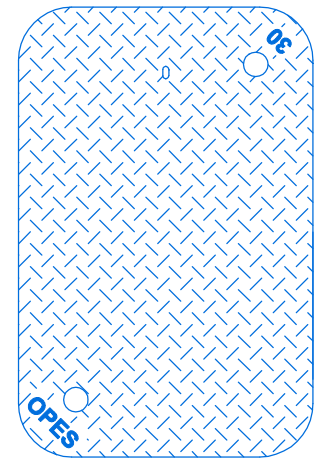
**Electrical Box
No. N30 BOX
138 lbs.**



FL30T



B30-61D



N30-61J

A high density reinforced concrete box with non-settling shoulders positioned to maintain grade and facilitate back filling. Approximate dimensions and weight shown.

Oldcastle Ordering Code	Item	Approx. Shipping Weight	Description
N30BOX	BOX	138 lbs.	N30 Electrical Box (13 3/4" x 24 1/4") Meets #5 State Specifications - 16 per pallet
N30R	LID	44 lbs.	R-Series Composite Lid with Polypropylene Ring (Order N90 Bolt Down Kit Separately)
FL30T	LID	20 lbs.	Fibrelyte lid, non-concrete Bolt Down (Order N90 Bolt Down Kit Separately)
B30-61D	COVER	38 lbs.	Steel Checker Plate
N30-61J	COVER	38 lbs.	Steel Checker Plate Bolt Down (Order N90 Bolt Down Kit Separately)
B30X12	EXTENSION	116 lbs.	12" Reinforced Concrete - 16 per pallet
B30SL	SLAB	52 lbs.	Reinforced concrete (16" x 28")

Galvanizing available on all steel covers



Oldcastle Precast®
Enclosure Solutions

Phone: (800) 486-7070 Fax: (800) 486-6804
Copyright © 2011 Oldcastle Precast Inc.

N30 BOX

FILE NAME: N30_ISO

ISSUE DATE: January, 2011

www.oldcastleprecast.com

**N30 ELECTRICAL BOX
13-1/4" x 24-1/4"**

