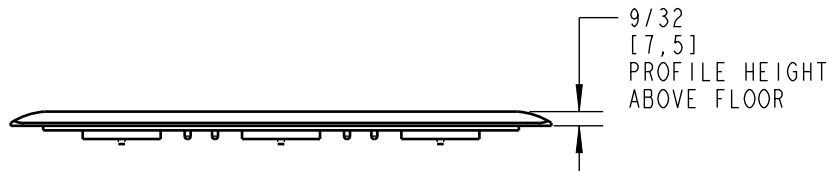
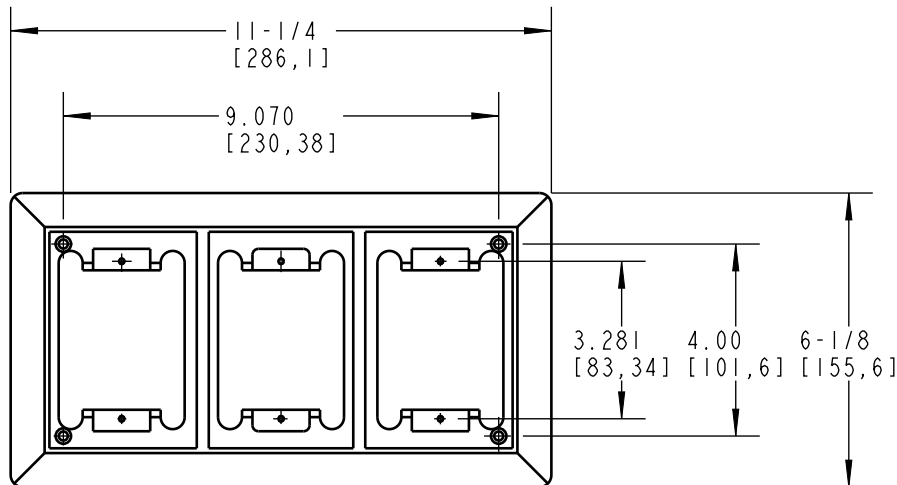
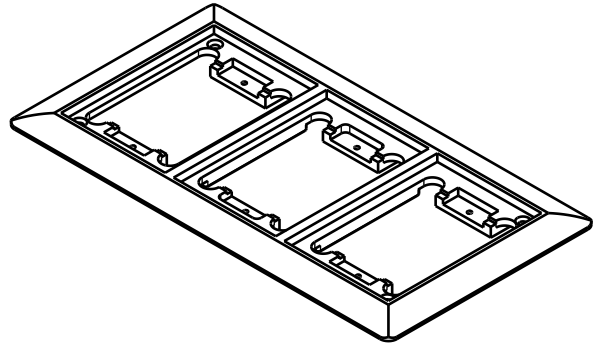


CATALOG NUMBERS:  
P 64 3G CP, P 64 3G CP AL



**FEATURES:**

- FOR USE WITH 61W, 62W, 63W, 640P, 640, 840 AND 740 SERIES FLOOR BOXES
- AVAILABLE IN SOLID BRASS AND ALUMINUM MATERIAL
- FURNISHED WITH SEALING GASKET AND MATCHING 8-32 X 7/16" FLATHEAD SCREWS

CATALOG NUMBERS	MATERIAL	FINISH
P 64 3G CP	SOLID BRASS	BRASS
P 64 3G CP AL	ALUMINUM	ALUMINUM

**GENERAL NOTES**

- ALL DIMENSIONS ARE FOR REFERENCE ONLY.
- DIMENSIONS IN BRACKETS [ ] ARE IN METRIC UNITS.

www.tnb.com

**Thomas & Betts**  
A Member of the ABB Group

**REVISIONS**

A SEE ECN ( \*\*\*\* )  
FOR APPROVAL SIGNATURES  
& RELEASE DATE.  
PROJECT NO: \*\*\*\*

DESCRIPTION: **P 64 3G CP, P 64 3G CP AL  
THREE GANG CARPET PLATE**

ORIGINAL PROJECT NO / ECN NO  
**003V001056 / ECN000083908**

SHEET NO:  
**1 OF 1**

REV. NO:  
**A**

DRAWING NO:  
**WSD-002616**