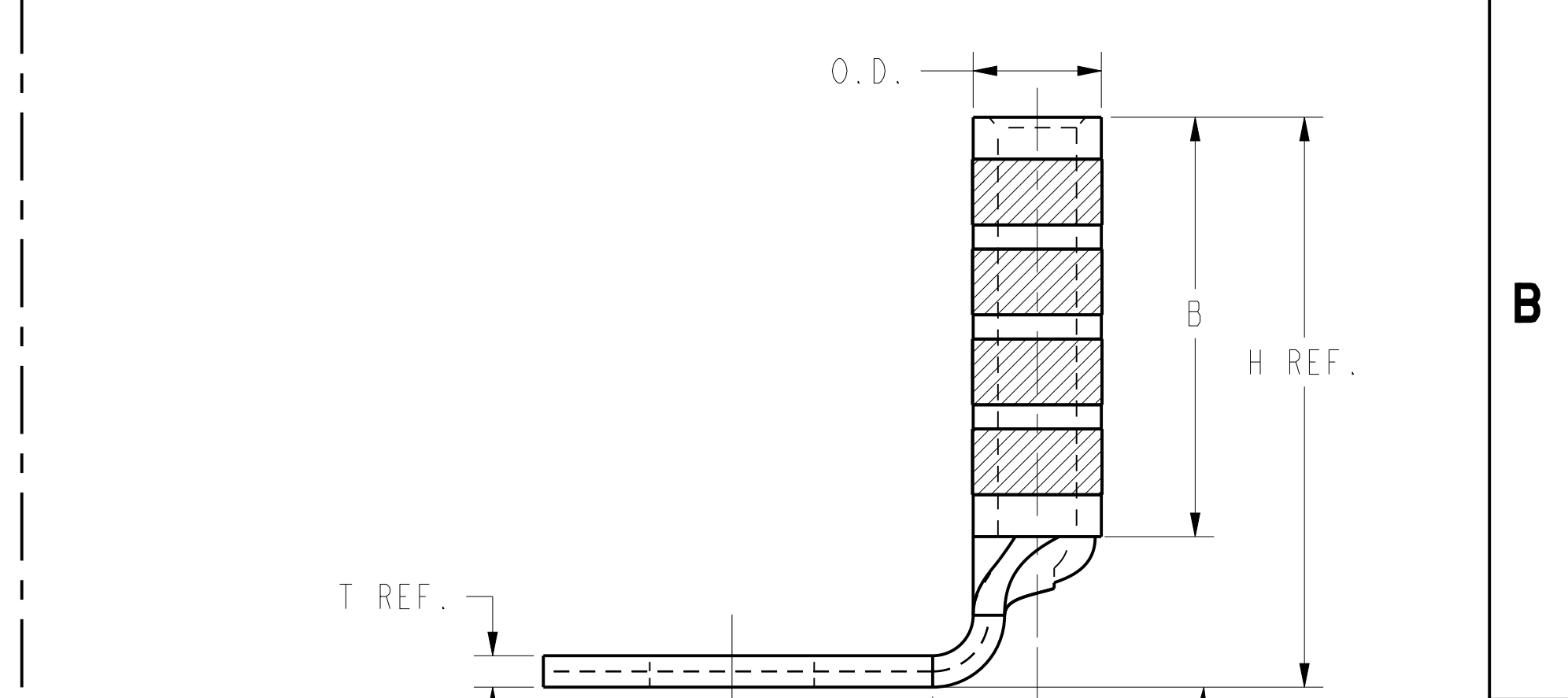
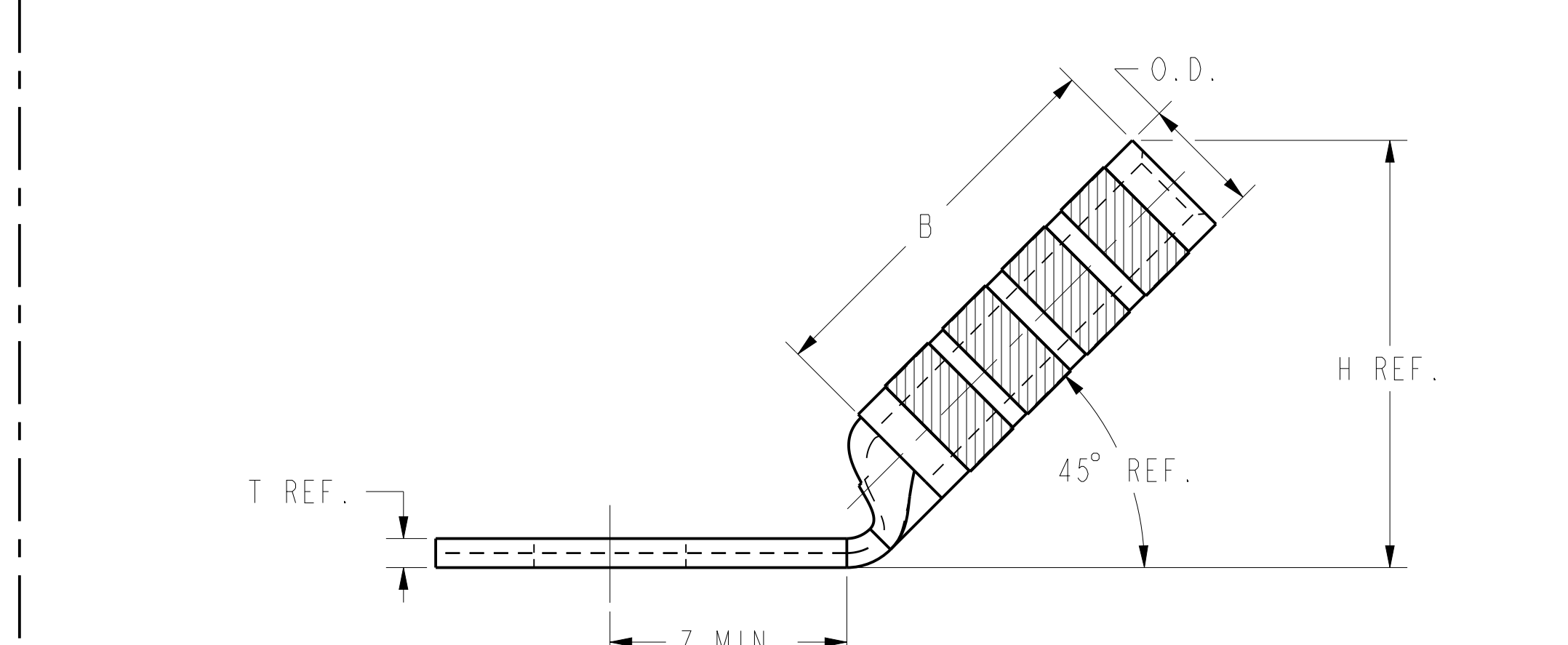
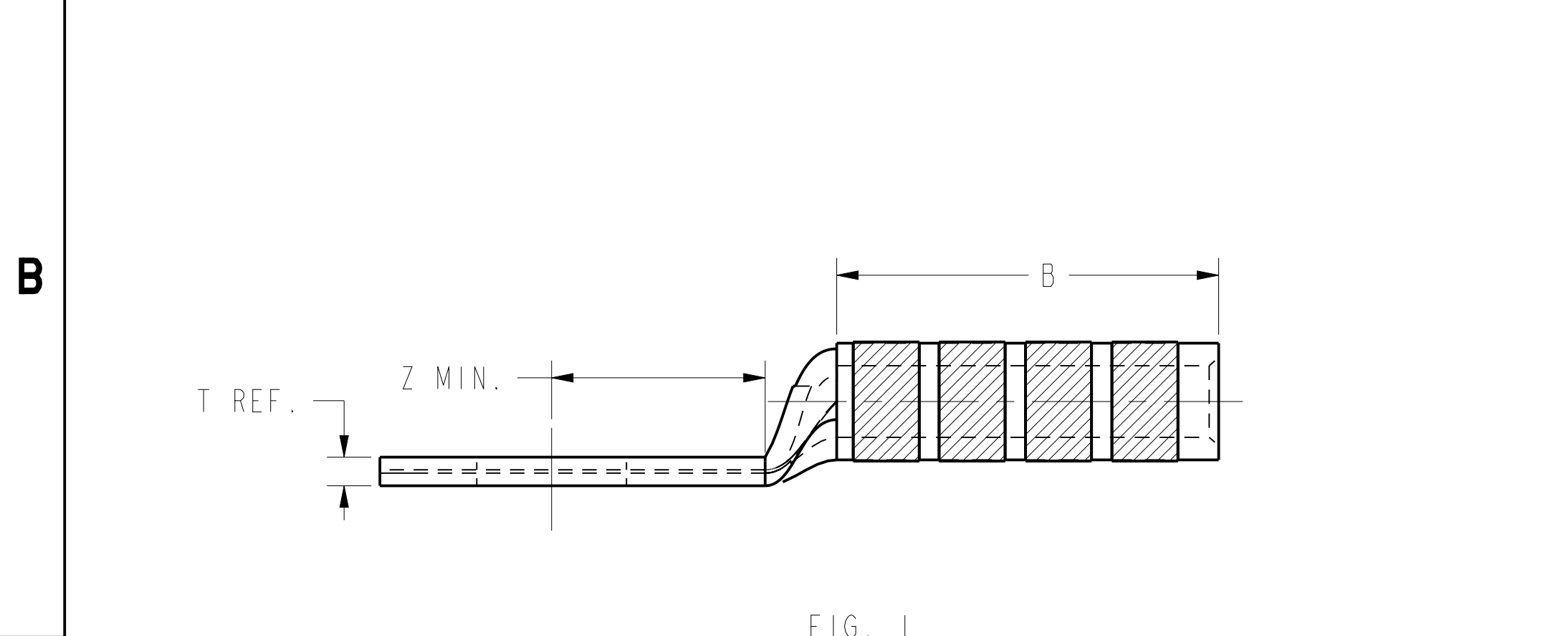
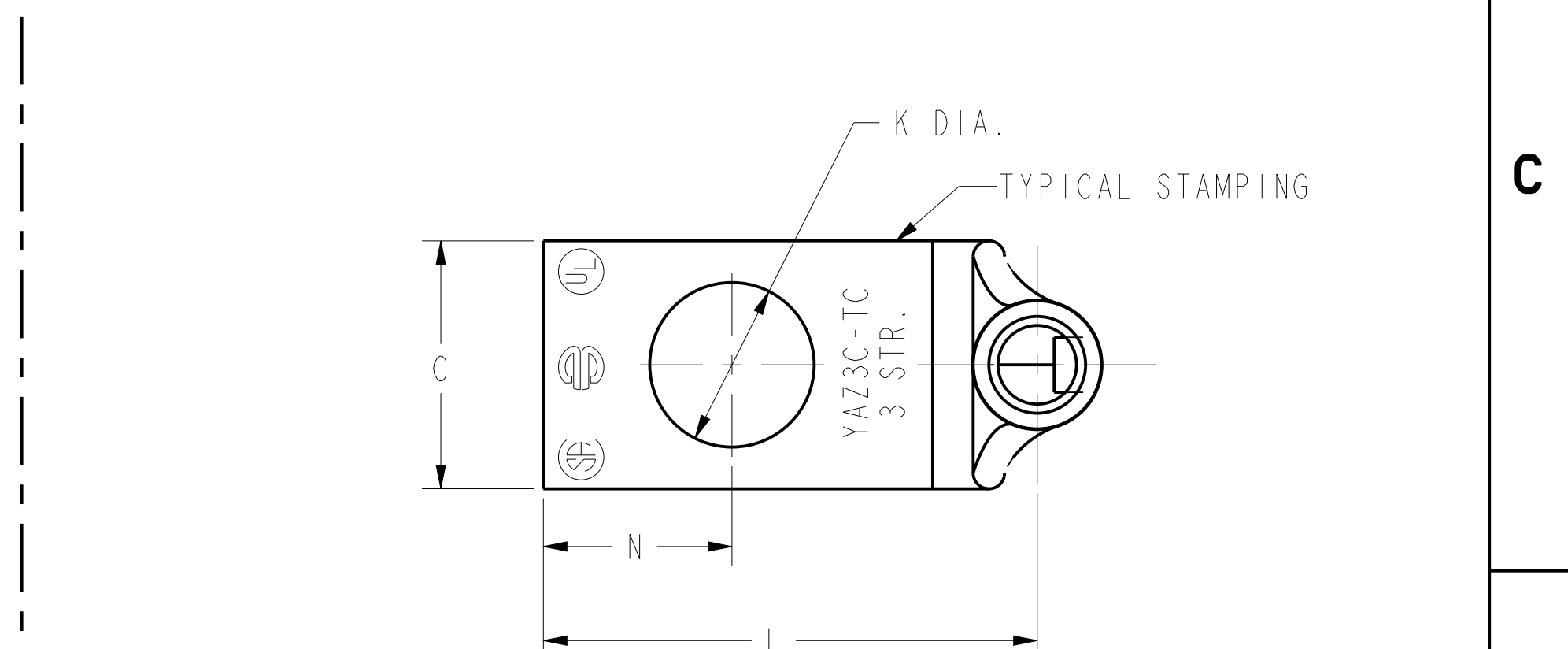
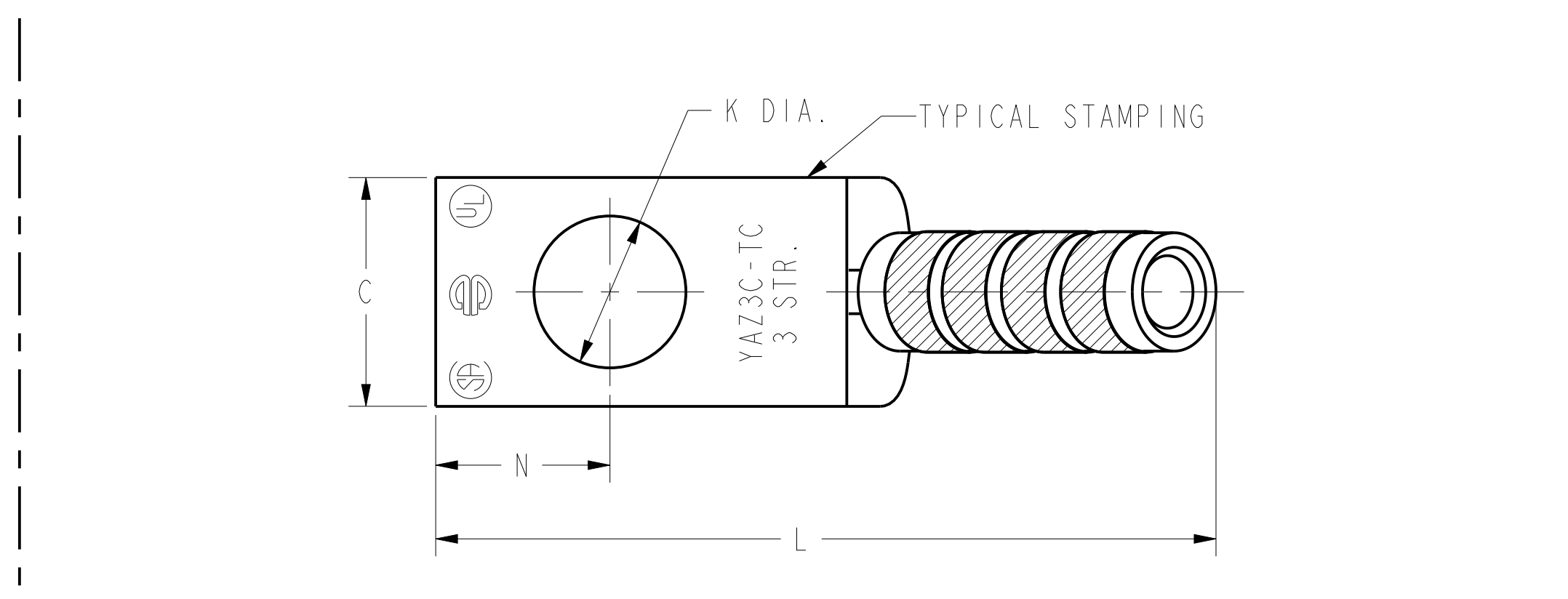
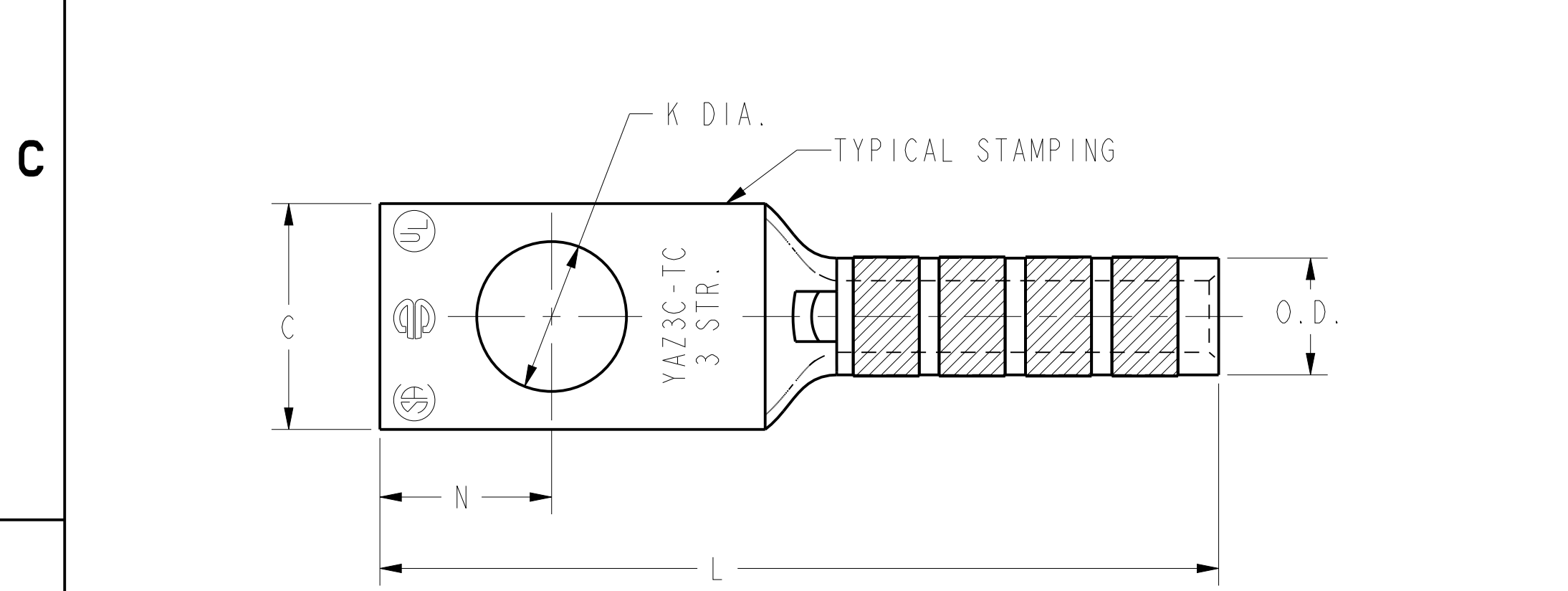


REV	DATE	DESCRIPTION	ECO	BY	C.H.K.
B	05/08/2017 00:00:00 AM	LOGO UPDATE	46692	BK	MB

CATALOG NO.	CONDUCTOR		BOLT SIZE	FIG. NO.	DIMENSIONS								INSTALLATION TOOLING (# CRIMPS)													
	CODE (AWG)	NAVY			B ±.06	C ±.04	H REF.	K DIA. ±.02	L ±.09	N ±.04	O.D. ±.01	T REF.	Z MIN.	DIE INDEX	COLOR CODE	MECHANICAL			HYDRAULIC				DIELESS (# CRIMPS)	WIRE STRIP LENGTH		
																MD7-34R MD6	OUR840	Y2MR	BCT500 Y500CT	Y34A	Y750 Y35, BAT35 Y39, BAT750	Y46			Y45	
YAZ3CTC14	#3 AWG. #2 SOL [25mm ² STR]	50	1/4 [M6]	1	1.25 [32]	.55 [14]	--	.27 [7]	2.19 [56]	.31 [8]	.38 [10]	.09 [2]	.33 [8]	9	WHITE	W3CRT (2)	W3CRT (2)	-----	W3CVT W3CRT (2)	A3CR (2)	U3CRT (2)	U3CRT (2)	U3CRT (2)	MECHANICAL: MY29-11(1) HYDRAULIC Y644, Y644M BAT644M Y644MBH, Y1000 Y1000BH (1)	1-5/16	
YAZ3CTC1445				2	1.37 [35]		1.96 [50]		1.69 [43]					2.38 [60]		9	W3CRT (2)	W3CRT (2)	-----	W3CVT W3CRT (2)	A3CR (2)	U3CRT (2)	U3CRT (2)			U3CRT (2)
YAZ3CTC1490				3	1.69 [43]		.92 [23]		2.38 [60]					9		W3CRT (2)	W3CRT (2)	-----	W3CVT W3CRT (2)	A3CR (2)	U3CRT (2)	U3CRT (2)	U3CRT (2)			
YAZ3CTC38	#3 AWG. #2 SOL [25mm ² STR]	50	3/8 [M10]	1	1.25 [32]	.58 [15]	--	.40 [10]	2.12 [54]	.41 [10]	.38 [10]	.08 [2]	.42 [11]	9	WHITE	W3CRT (2)	W3CRT (2)	-----	W3CVT W3CRT (2)	A3CR (2)	U3CRT (2)	U3CRT (2)	U3CRT (2)	1-5/16		
YAZ3CTC3845				2			1.37 [35]		2.12 [54]					1.67 [43]		2.12 [54]	9	W3CRT (2)	W3CRT (2)	-----	W3CVT W3CRT (2)	A3CR (2)	U3CRT (2)		U3CRT (2)	U3CRT (2)
YAZ3CTC3890				3			1.67 [43]		1.10 [28]					2.12 [54]		9	W3CRT (2)	W3CRT (2)	-----	W3CVT W3CRT (2)	A3CR (2)	U3CRT (2)	U3CRT (2)		U3CRT (2)	



- NOTES:
- MATERIAL: COPPER TUBING.
 - FINISH: TIN PLATED
 - CATALOG # PT6515 ADAPTOR IS REQUIRED TO USE "U" DIES IN Y45 SERIES TOOLS.
 - CATALOG # PUADP-1 ADAPTOR IS REQUIRED TO USE "U" DIES IN Y46 SERIES TOOLS.
 - NAVY CABLE SIZE MAY BE OMITTED ON SOME SIZES BECAUSE OF SPACE LIMITATIONS.
 - PERMANENT DIE IN TOOLING.
 - DIMENSIONS, METRIC WIRE, & METRIC BOLT SIZES IN BRACKETS [] ARE IN MILLIMETERS. DIMENSIONS ARE ROUNDED OFF TO THE NEAREST MILLIMETER, UNLESS OTHERWISE NOTED, AND ARE FOR REFERENCE ONLY.
 - FOR USE BY CUSTOMERS THAT HAVE THIS HYPRESS™. NO NEW Y34A HYPRESS™ TOOLS ARE BEING PROCESSED.

TO ORDER BURNDY® PRODUCTS CALL		HYLUG™ (ONE HOLE CODE)	
UNITED STATES 1-800-346-4175 (LONDONDERRY, NH)		ITEM NO: NA	DRAWING NO
CANADA: 1-800-361-6975 (QUEBEC) 1-800-387-6487 (ALL OTHER PROVINCES)		CAT. NO: YAZ3C-TC- (TABLE)	REV
FOR PRODUCT INFO: http://www.burndy.com		DRAWN BY: D. BOISVERT 02/03/2000	SIZE
		CHECKER: K. MCCARTHY 04/05/2000	D
		DSN APPVL: J. MICHAUD 05/04/2000	SE212356
		MFG APPVL: N/A	B
		QA APPVL: S. BROWN	SHEET 9 OF 40
		MKT APPVL: N/A	SCALE: NTS
		PROD FAM: --	
		PROJECT #: --	
		DOCUMENT TYPE: Sales	
		REL LEVEL: Released	

REV: PFC200