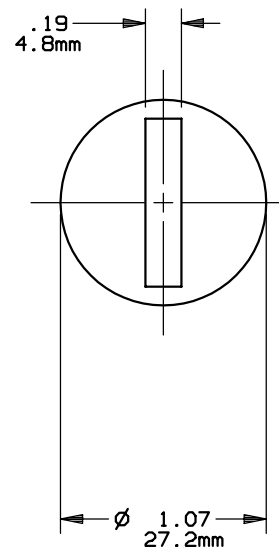
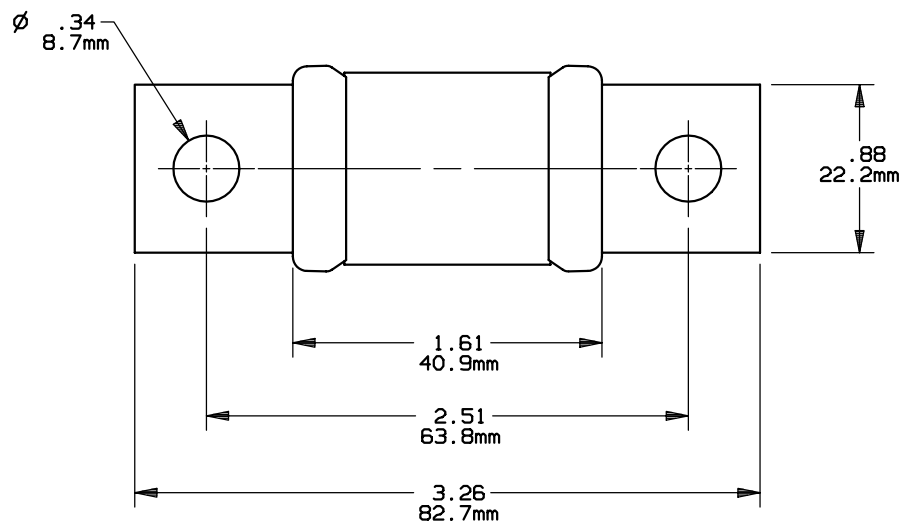


REV	DATE	ECO	DESCRIPTION	BY	CK	APP
B	2-25-08	NA	UPDATED OUTLINE FORMAT AND REVISED DIMENSIONS	LDB	NA	(SEE ECO)



FERRAZ SHAWMUT INC.
374 MERRIMAC STREET
NEWBURYPORT, MA 01950

PRODUCT MANAGER

DESIGN ENGINEER

SIGN:

SIGN:

DATE:

DATE:

A6T(110-200)

CLASS T

110-200A 600V

OUTLINE DIMENSIONS
NOT TO BE USED FOR PRODUCTION

24159