
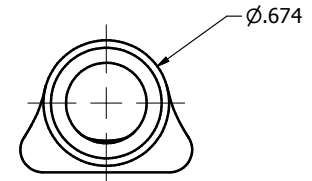
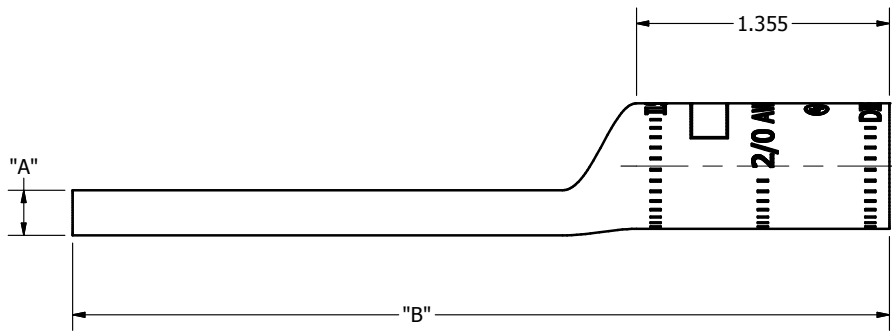
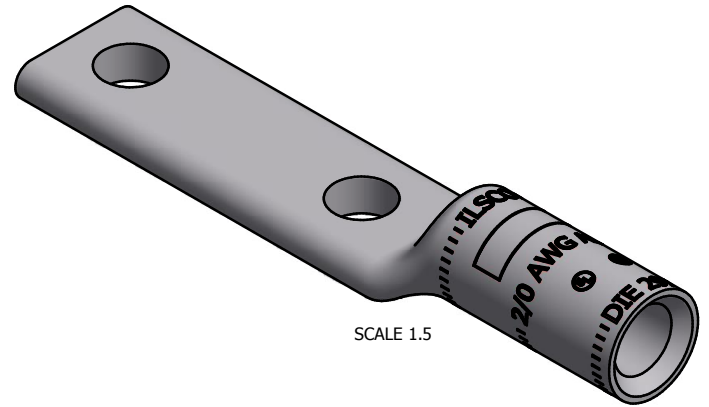
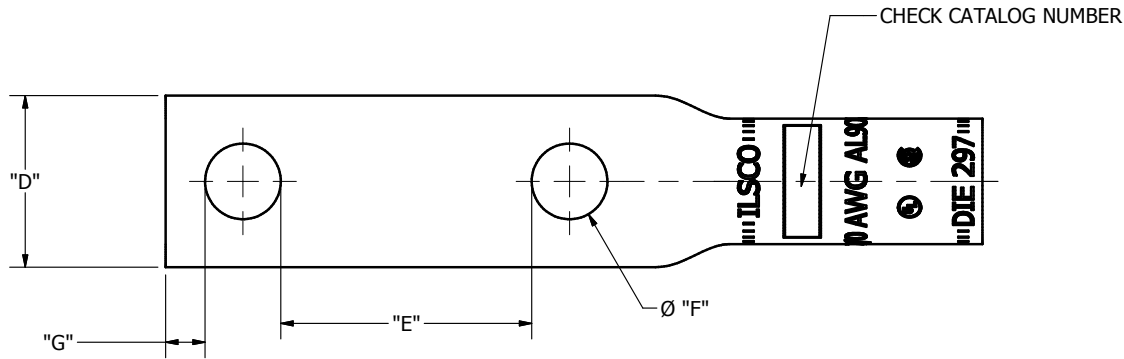


SCREW: NONE	MATERIAL: ALUMINUM	REV: K	 800-776-9775 www.ilsco.com
CAT. NO. SEE CHART	PLATING: EL-TIN	DRAWN BY NWW SCALE: NTS	
INFORMATION SHEET FORM 196	MARKING: NO TANG MARKING	DATE 5/30/2013 SIZE: B	
			DWG NO: YA0803, YAN0803 Double
			SHEET: 1 OF 1



Catalog Number	"A"	"B"	"D"	"E"	"F"	"G"
ALND-2/0-38-1	.242	3.940	.921	0.594	0.406	0.211
ALNN-2/0-38-1	.668	3.950	.665	0.594	0.406	0.211
ALND-2/0-38-134	.242	4.633	.921	1.344	0.406	0.211
ALNN-2/0-38-134	.264	4.637	.636	1.344	0.406	0.211
ALND-2/0-12-1	.242	4.137	.921	0.438	0.562	0.265
ALND-2/0-12-134	.242	5.025	.921	1.188	0.562	0.265

THE INFORMATION CONTAINED WITHIN THIS DOCUMENT IS PROPRIETARY TO ILSCO AND MAY NOT BE DISCLOSED WITHOUT PRIOR WRITTEN CONSENT