

DESCRIPTION:  
**SNAPNRACK, MLPE ATTACHMENT KIT**

PART NUMBER(S):  
**242-92093**

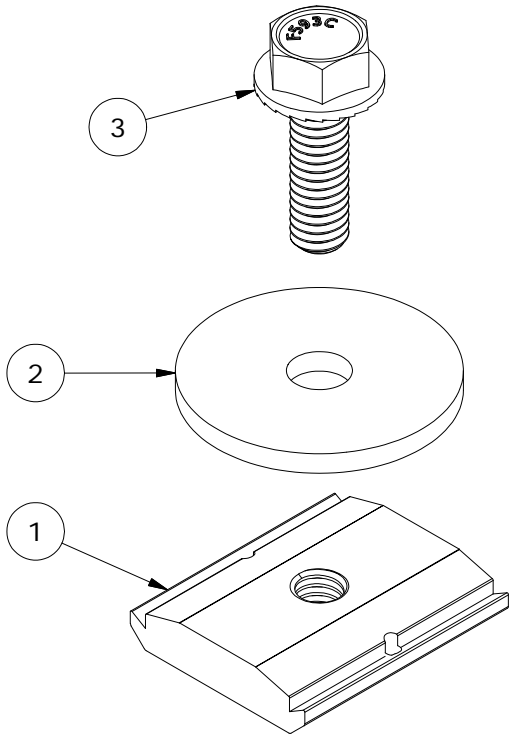
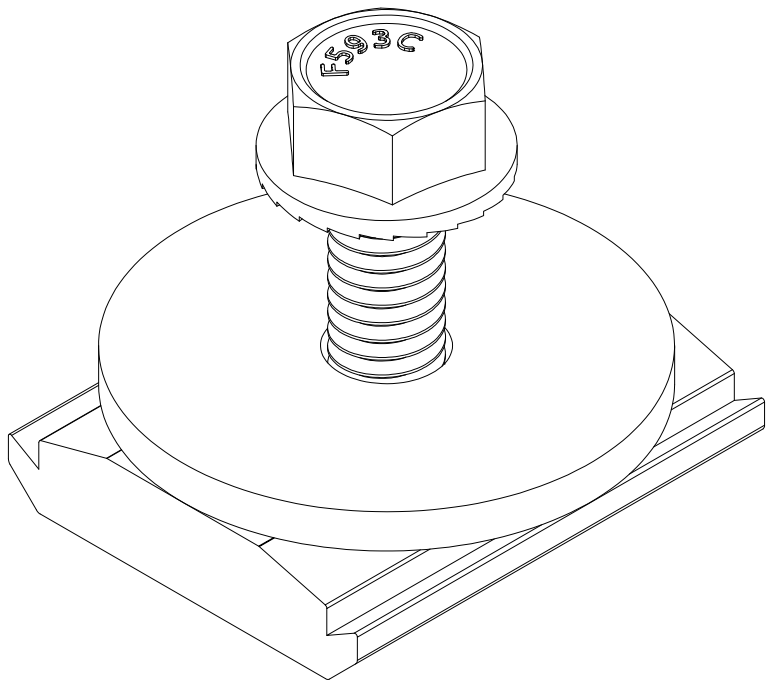
DRAWN BY:  
M. Watkins

REVISION:  
**A**

**SnapNrack™**  
**Solar Mounting Solutions**

595 MARKET STREET, 29TH FLOOR • SAN FRANCISCO, CA 94105 USA  
PHONE (415) 580-6900 • FAX (415) 580-6902

THE INFORMATION IN THIS DRAWING IS CONFIDENTIAL AND PROPRIETARY. ANY REPRODUCTION, DISCLOSURE, OR USE THEREOF IS PROHIBITED WITHOUT THE WRITTEN CONSENT OF SUNRUN SOUTH LLC.



PARTS LIST		
ITEM	QTY	DESCRIPTION
1	1	SNAPNRACK, BONDING CHANNEL NUT
2	1	WASHER, FENDER, 5/16IN X 1-1/2IN X .125IN, SS
3	1	BOLT, FLANGE, SERRATED, 5/16IN-18 X 1IN, SS

MATERIALS:	6000 SERIES ALUMINUM, STAINLESS STEEL	OPTIONS:
DESIGN LOAD (LBS):	N/A	
ULTIMATE LOAD (LBS):	N/A	
TORQUE SPECIFICATION:	10 LB-FT	
CERTIFICATION:	UL 2703, FILE E359313	
WEIGHT (LBS):	0.15	