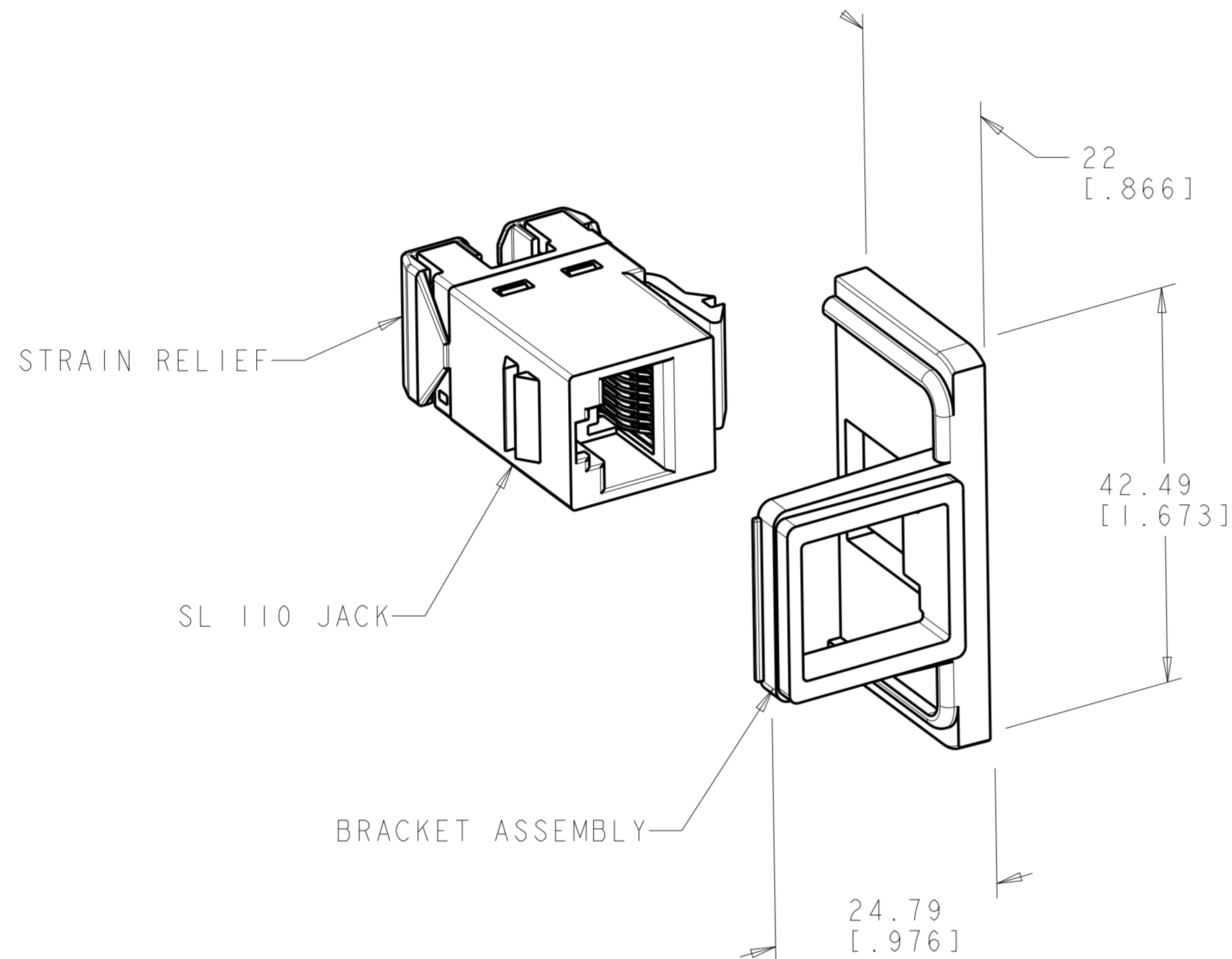
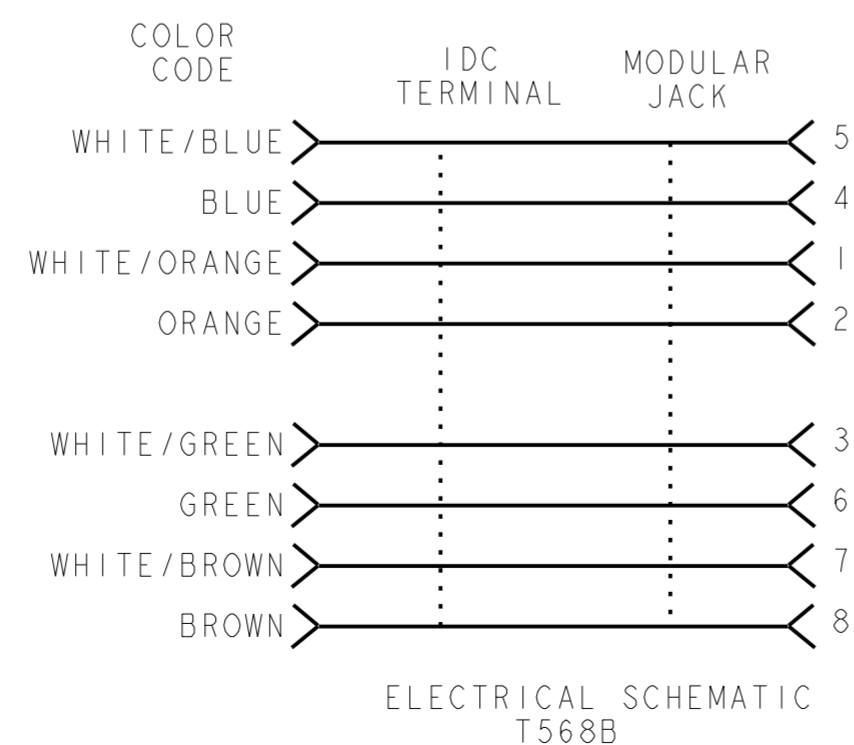
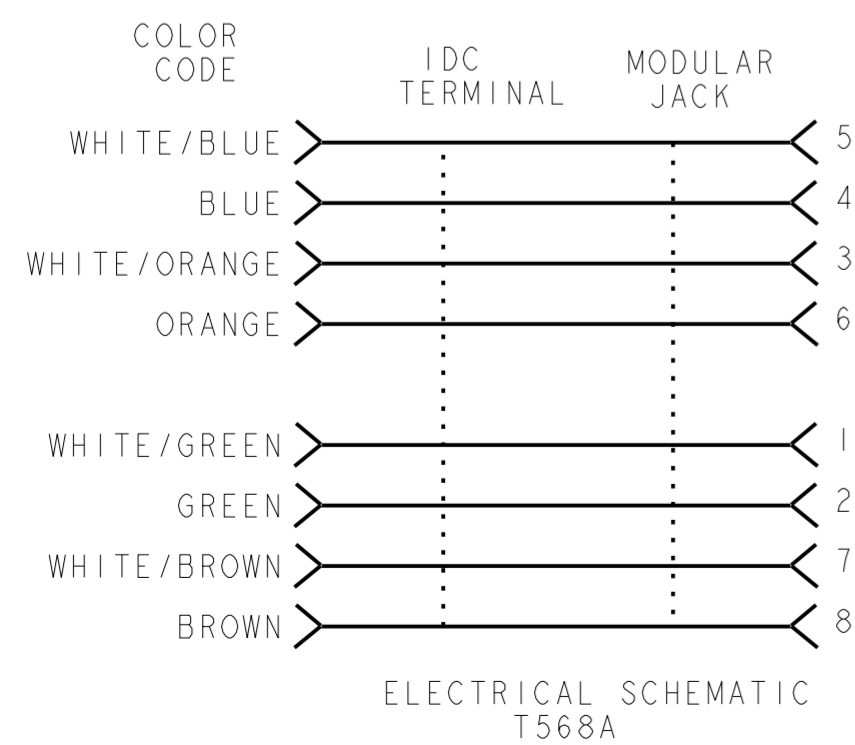


THIS DRAWING IS UNPUBLISHED. RELEASED FOR PUBLICATION
 © 2016 COMMSCOPE, INC. CONFIDENTIAL NOTICE: THESE DRAWINGS AND SPECIFICATIONS ARE THE PROPRIETARY PROPERTY OF COMMSCOPE, INC. AND MAY BE USED ONLY FOR THE SPECIFIC PURPOSE AUTHORIZED IN WRITING BY COMMSCOPE, INC.

REVISIONS				
P	LTR	DESCRIPTION	DATE	APVD
A		NSD07-082	22OCT07	JB SJ
B		REV; ECO-09-011567	15JULY2009	GG SJ
C		REV PER BNS_CD_BRAND	07FEB2017	GG DC



- 1. MATERIAL:
 BRACKET - ABS, UL 94V-0 RATED.
 JACK HOUSING - POLYPHENYLENE OXIDE, 94V-0 RATED.
 110 BLOCK AND STRAIN RELIEF - POLYCARBONATE.
 JACK CONTACTS ARRAY - GOLD OVER BERYLLIUM COPPER.
 IDC TERMINALS- TIN OVER PHOSPHOROUS BRONZE.
- 2. USE FOAM TAPE (INCLUDED) FOR FASTENING TO SURFACES.
- 3. THIS KIT SHIPPED NOT ASSEMBLED.
- 4. ALL DIMENSIONS SHOWN ARE NOMINAL.
- 5. APPLICATION: UNDERCARPET COMMUNICATIONS CABLING SYSTEM. USE WITH LOW PROFILE COMMUNICATIONS FLOOR FITTINGS.



1933377-1
 PART NUMBER

THIS DRAWING IS A CONTROLLED DOCUMENT.		DWN J. BURWELL 22OCT07	COMMSCOPE, INC. DATA KIT, SL 110 JACK, UNIVERSAL, CATEGORY 6		
DIMENSIONS: MM [INCHES]		CHK S. JONES 22OCT07			NAME
TOLERANCES UNLESS OTHERWISE SPECIFIED:		APVD S. JONES 22OCT07			SIZE CAGE CODE DRAWING NO
0 PLC ± 1 PLC ± 2 PLC ± 3 PLC ± 4 PLC ± ANGLES ± FINISH ±		PRODUCT SPEC			RESTRICTED TO
MATERIAL		APPLICATION SPEC	SCALE 2:1	SHEET 1 OF 1	
		WEIGHT	REV C		
		CUSTOMER DRAWING			