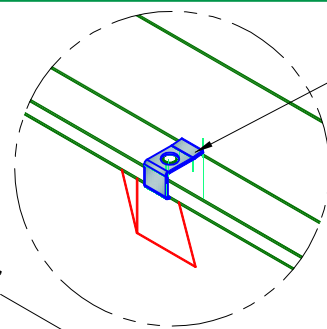
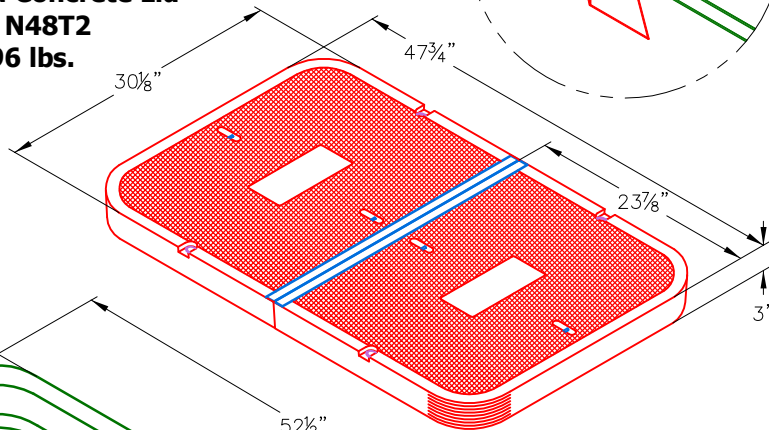


- Etched polypropylene face
- Face anchored in concrete
- Ultra-violet inhibitor
- Exceeds ASTM-D1693 Standards for Environmental Stress Cracking Resistance

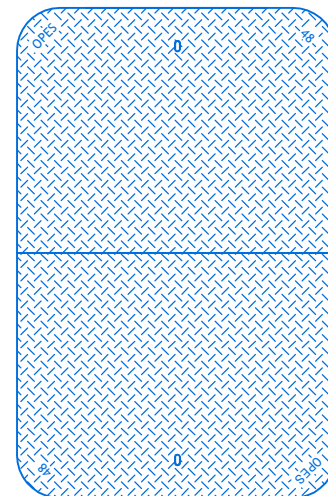
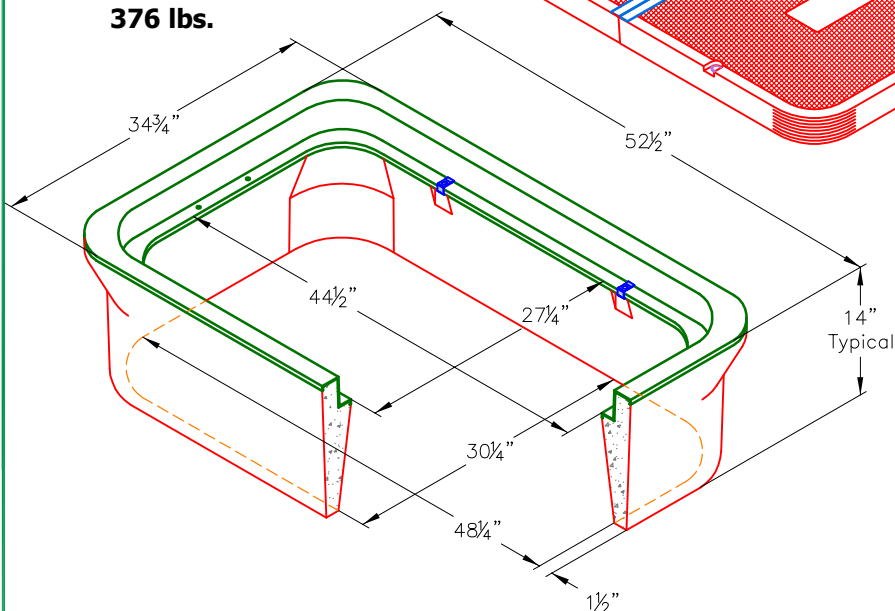


N98 Clip, for Bolt Down Application

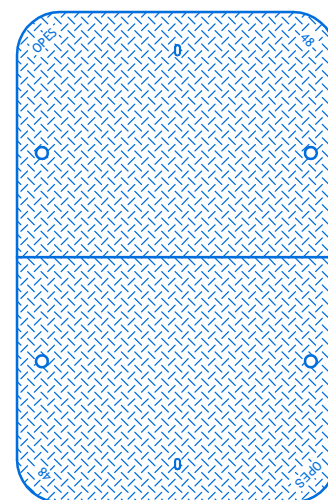
**Reinforced Concrete Lid
No. N48T2
396 lbs.**



**Electrical Box
No. N48 BOX
376 lbs.**



B48-62D



N48-62J

A high density reinforced concrete box with non-settling shoulders positioned to maintain grade and facilitate back filling. Approximate dimensions and weight shown.

| Oldcastle Ordering Code | Item | Approx. Shipping Weight | Description |
|-------------------------|-----------|-------------------------|---|
| N48BOX | BOX | 376 lbs. | N48 Electrical Box (30 1/4" x 48 1/4") w/ Bolt Down Provisions - 3 per pallet |
| N48T2 | LID | 396 lbs. | 2 pc. Reinforced Concrete Lid (Order N98 - Set of 4 - Bolt Down Kit Separately) |
| B48-62D | COVER | 155 lbs. | 2 pc. Steel Checker Plate |
| N48-62J | COVER | 155 lbs. | 2 pc. Steel Checker Plate Bolt Down (Order N98 - Set of 4 - Bolt Down Kit Separately) |
| N48X10 | EXTENSION | 288 lbs. | 10" Reinforced Concrete - 3 per pallet |
| B48SL | SLAB | 406 lbs. | Reinforced concrete (36" x 53") |

Galvanizing available on all steel covers



Oldcastle Precast®
Enclosure Solutions

Phone: (800) 486-7070 Fax: (800) 486-6804
Copyright © 2011 Oldcastle Precast Inc.

N48 BOX

FILE NAME: N48_ISO

ISSUE DATE: January, 2011

www.oldcastleprecast.com

**N48 ELECTRICAL BOX
30-1/4" x 48-1/4"**

