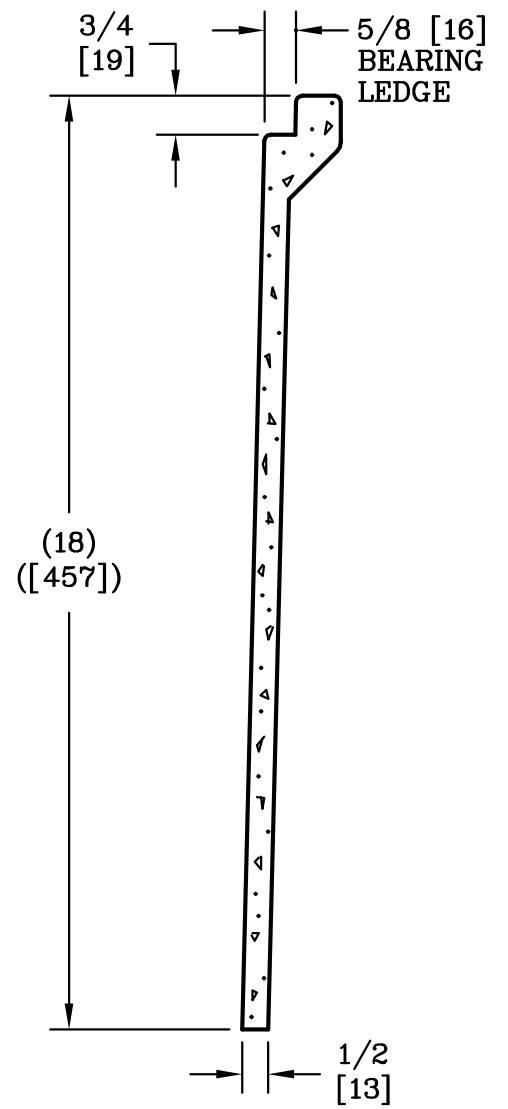
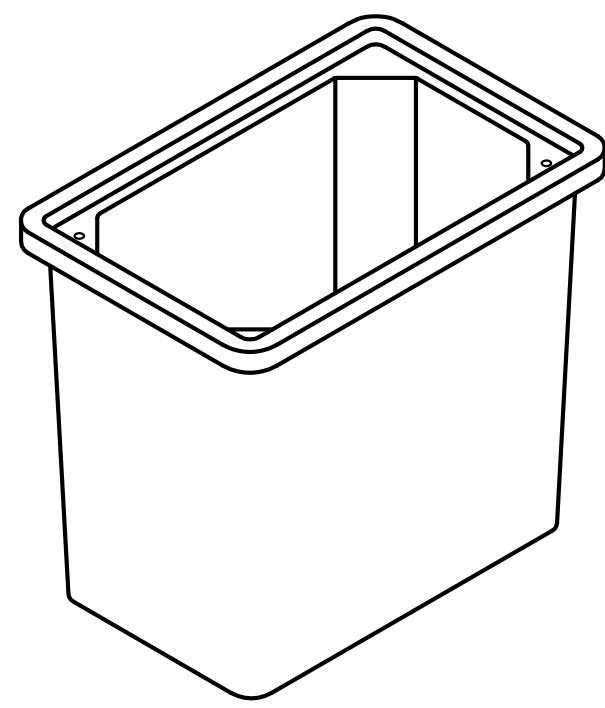
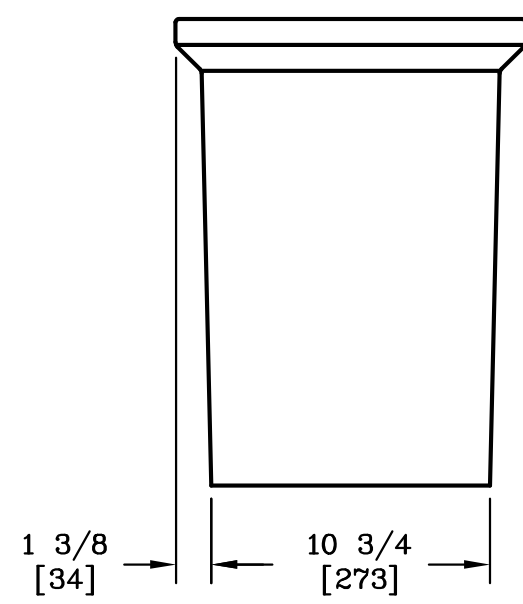
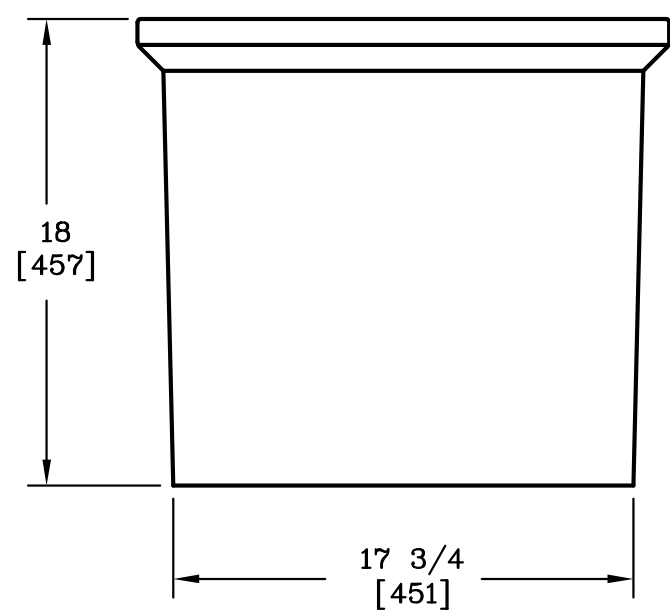


3/8-7 SELF ALIGNING,
REPLACEABLE S.S. EZ-NUT
2 PLACES




SECTION A-A
SCALE 3"=1'



NOTE:

1. DIMENSIONS IN BRACKETS ARE IN MILLIMETERS UNLESS OTHERWISE NOTED.



DIMENSIONS ARE IN INCHES OR MILLIMETERS IN BRACKETS UNLESS OTHERWISE NOTED.					
DRN	BY	DATE	WEIGHT	 3621 INDUSTRIAL PARK DR LENOIR CITY, TN 37771 800-346-3062 www.quazite.com	LOC
			55# 25kg		
CHK	M&F	2/19/90	SCALE	DRAWING DESCRIPTION QUAZITE® BOX	S REV
ENG	CMB	2/19/90	1 1/2"=1'		H
APR	FMS	2/26/90	SIZE		
APR	VJB	3/24/90	B		3/12
PROJECT NUMBER			DRAWING NUMBER		
90078			PC1118BA18		
SHEET 1 OF 1					