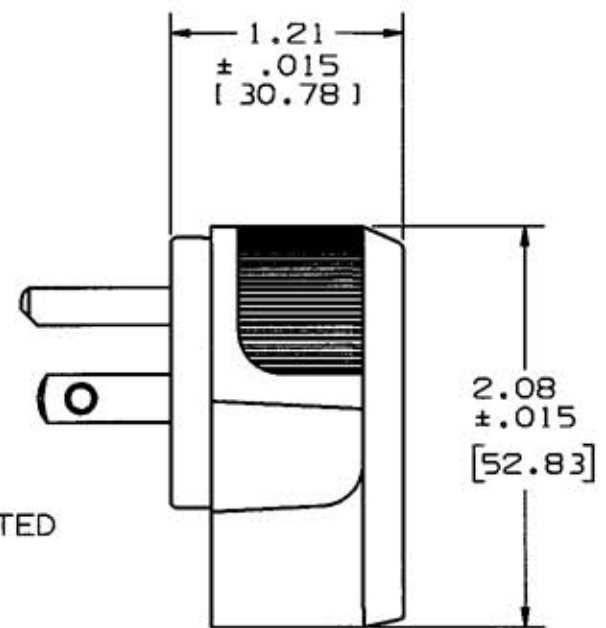
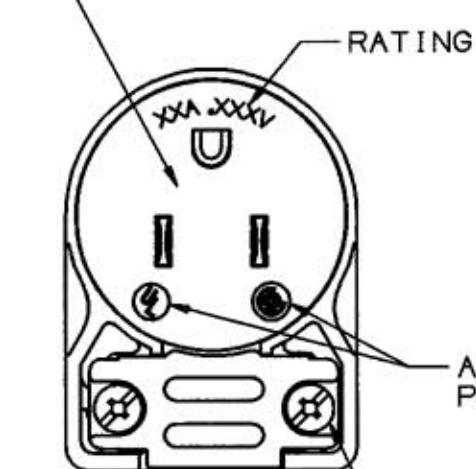


M-7277 3

BLADE HOLDER CAN BE ASSEMBLED IN 8 CORD ENTRY POSITIONS



CORD CLAMP RANGE
 18/3-12/3 TYPE S; 16/3-10/3 TYPE SJ
 DIAMETER .325/.655 INCHES (8.3/16.6mm)
 NOTE: 15A HOSPITAL GRADE ALSO ACCEPTS
 18/3 TYPES SJ & SVWIRE .250/.335 INCHES (6.4/8.5mm)
 WHEN 3 YELLOW INSERTS PROVIDED ARE USED.

CAT. NO. (BLACK COVER) (BLACK CORD CLAMP)	CAT. NO. (CLEAR COVER) (NATURAL CORD CLAMP)	CAT. NO. HOSPITAL GRADE (CLEAR COVER) (NAT. CORD CLAMP)	CONFIGURATION	RATING	UL	CSA
HBL5266CA	HBL5266CAT	HBL8215CAT	NEMA 5-15P	15A. 125V.	YES	YES
HBL5666CA	_____	_____	NEMA 6-15P	15A. 250V.	YES	YES
HBL5366CA	_____	HBL8315CAT	NEMA 5-20P	20A. 125V.	YES	YES
HBL5466CA	_____	_____	NEMA 6-20P	20A. 250V.	YES	YES

DESCRIPTION	MATERIAL	FINISH
COVER	NYLON	SEE TABLE
COVER (CLEAR)	POLYCARBONATE	CLEAR
CORD CLAMP	NYLON	SEE TABLE
BLADE HOLDER	NYLON	NATURAL
RETAINER	POLYCARBONATE	CLEAR
WIRE CLAMP	.062 CRS	NICKEL PL
BLADES	BRASS	
#8 TERMINAL SCREWS	BRASS	
ASSEMBLY SCREWS	STEEL	ZINC PL

SYM	REVISIONS	APP	DATE
3	IN LIST OF PARTS, "POLYCARBONATE WAS "LEXAN" IN 2 PLACES; PER DCN #8996. JMN	CJC CJC	2/18/02
2	ADDED TOL. TO 1.21 & 2.08 DIMS CHANGED SCREWS TO TRI-DRIVE PER DCN #7773. AMZ	DB	7/24/00
1	"X" REMOVED PER DCN #2940 RCM	JZ	8/3/94

THE DESIGN AND DIMENSIONS OF THE PRODUCT SHOWN ON THIS DRAWING ARE SUBJECT TO CHANGE WITHOUT NOTICE

TITLE INSULGRIP®
 2 POLE 3 WIRE
 STRAIGHT BLADE
 ANGLE PLUGS

TOLERANCES UNLESS OTHERWISE SPECIFIED	WIRING DEVICE-KELLEMS HUBBELL INCORPORATED BRIDGEPORT, CT	
FRACTIONS ± 1/64	DR. BY RCM	APP. BY ZIMM
DECIMALS ± .005	TR. BY	SCALE $\frac{1}{2}$
ANGLES ± 2'	CHK'D BY ZIMM	DATE 8/3/94

DIMENSION SHEET FOR CAT. NO. **M-7277**
 REPAIRABLE NON-REPAIRABLE **B**
M-7277
3