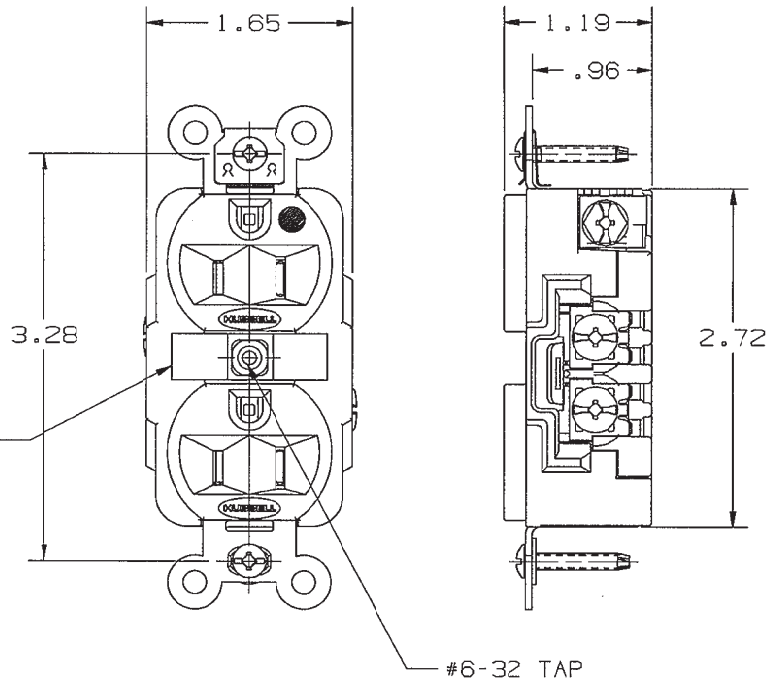


M-8227 6



BLANK CIRCUIT ID LABELS
1.25 X .375

#6-32 TAP

HOSPITAL GRADE							CONFIGURATION	RATING
BROWN	BLACK	GRAY	IVORY	RED	WHITE	LT. ALMOND		
HBL8200	HBL8200BK	HBL8200GY	HBL8200I	HBL8200RED	HBL8200W	HBL8200LA		15A, 125V
HBL8300	_____	HBL8300GY	HBL8300I	HBL8300RED	HBL8300W	HBL8300LA		20A, 125V
HBL8600	_____	_____	HBL8600I	_____	_____	_____		15A, 250V
HBL8400	_____	_____	HBL8400I	_____	_____	_____		20A, 250V

LIST OF PARTS		
DESCRIPTION	MATERIAL	FINISH
FACE (EXCEPT RED)	TERNI. POLYESTER	SEE TABLE
BRIDGE	BRASS	NICKEL PLATE
CONTACTS	BRASS	NICKEL PLATE
CLAMP PLATES	BRASS	NICKEL PLATE
BASE	REINF. POLYESTER	
WASHER	FIBER	
GROUND CLIP	STAIN. STL.	
MOUNTING SCREWS	STAIN. STL.	
RIVET	BRONZE	
BINDING SCREWS (NEUTRAL)	BRONZE	NICKEL PLATE
BINDING SCREWS (HOT)	BRONZE	
GROUND SCREW	BRONZE	GREEN
FACE (RED DEVICES)	NYLON	

NO.	DESCRIPTION	BY	DATE
6	IN LIST OF PARTS, DESCRIPT. ADDED BINDING SCREW (#0T) AND GROUND SCREW AND SPECS IN MATERIAL MOUNTING SCREWS STAINLESS STEEL WAS STEEL, IN FINISH ADDED SEE TABLE AND PLATING SPECS PER DCN 19790. MYA	DJP	5/6/13
5	REVISED RED CAT. NO'S & RED FACE MATERIAL PER DCN 17567 RCM	MAM	5/3/11
4	ADDED HBL8200LA & HBL8300LA TO TABLE PER DCN #15758 RCM	DJP	5/14/09
3	ADDED HBL8200BK TO TABLE PER DCN #11200 RCM	JP	8/18/03
2	ADDED ID LABELS & TABLE PER DCN #7773. AMZ	DB	7/25/00
1	RELEASED PER DCN7433	NB	2/9/00
SYM	REVISIONS	APP	DATE

THE DESIGN AND DIMENSIONS OF THE PRODUCT SHOWN ON THIS DRAWING ARE SUBJECT TO CHANGE WITHOUT NOTICE

TITLE
 DUPLEX RECEPTACLE
 HOSPITAL GRADE

TOLERANCES UNLESS OTHERWISE SPECIFIED .XX : ± .01 .XXX : ± .005 ANGLES : ± 2°	WIRING DEVICE-KELLEMS HUBBELL INCORPORATED SHELTON, CT	
	DR. BY SRE	APP. BY NB
	TR. BY	SCALE 1:1
	CHK. BY NE	DATE 2/9/00

DIMENSION SHEET FOR CAT. NO. SEE TABLE

REPAIRABLE NON-REPAIRABLE

B

M-8227

(C)