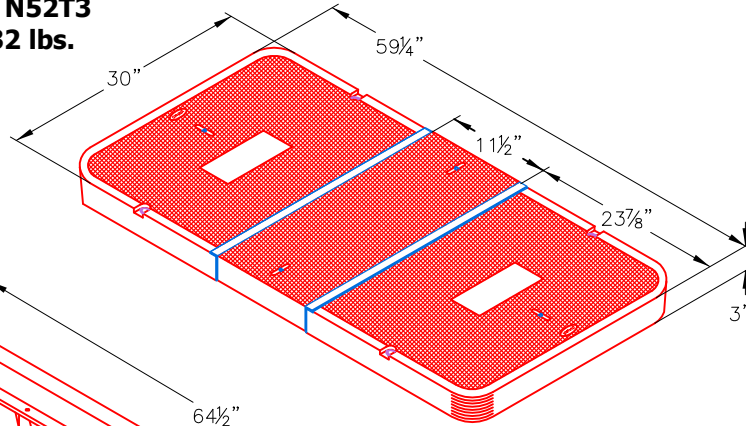
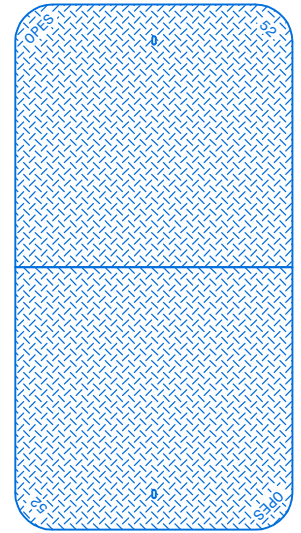
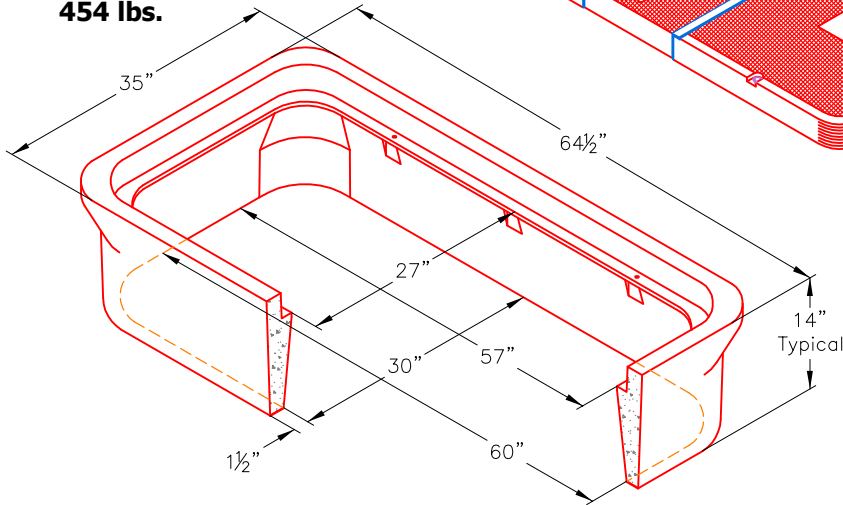


**Reinforced Concrete Lid  
No. N52T3  
532 lbs.**

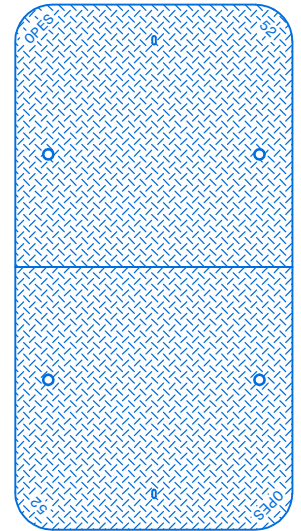
**"T" BOX**



**Electrical Box  
No. N52 BOX  
454 lbs.**



**B52-62D**



**N52-62J**

A high density reinforced concrete box with non-settling shoulders positioned to maintain grade and facilitate back filling. Approximate dimensions and weight shown.

Oldcastle Ordering Code	Item	Approx. Shipping Weight	Description
N52BOX	BOX	454 lbs.	N52 Electrical Box (30" x 60") w/ Bolt Down Provisions – 3 per pallet
N52D3	LID	532 lbs.	3 pc. Reinforced Concrete Lid
N52T3	LID	532 lbs.	3 pc. Reinforced Concrete Bolt Down Lid with Interlocking Center Section (Order N98 – Set of 4 – Bolt Down Separately)
B52-62D	COVER	178 lbs.	2 pc. Steel Checker Plate
N52-62J	COVER	178 lbs.	2 pc. Steel Checker Plate Bolt Down (Order N98 – Set of 4 – Bolt Down Kit Separately)
N52X10	EXTENSION	308 lbs.	10" Reinforced Concrete – 3 per pallet
B52SL	SLAB	509 lbs.	Center Section w/ Tabs, Reinforced Concrete for the 3 pc. Bolt Down Lids.
N52TCS	SECTION	80 lbs.	Reinforced concrete (36" x 66")

Galvanizing available on all steel covers



**Oldcastle Precast®**  
Enclosure Solutions

Phone: (800) 486-7070 Fax: (800) 486-6804  
Copyright© 2011 Oldcastle Precast Inc.

**N52 BOX**

FILE NAME: N52\_ISO

ISSUE DATE: January, 2011

[www.oldcastleprecast.com](http://www.oldcastleprecast.com)

**N52 ELECTRICAL BOX  
30" x 60"**

