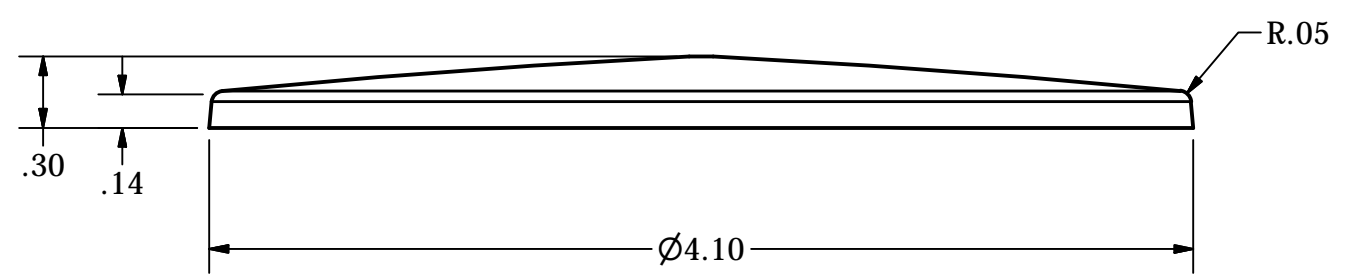
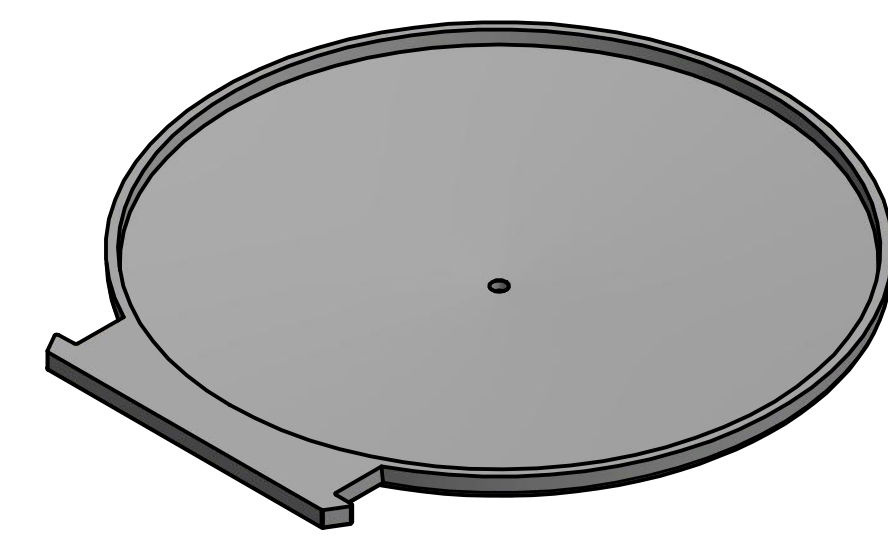
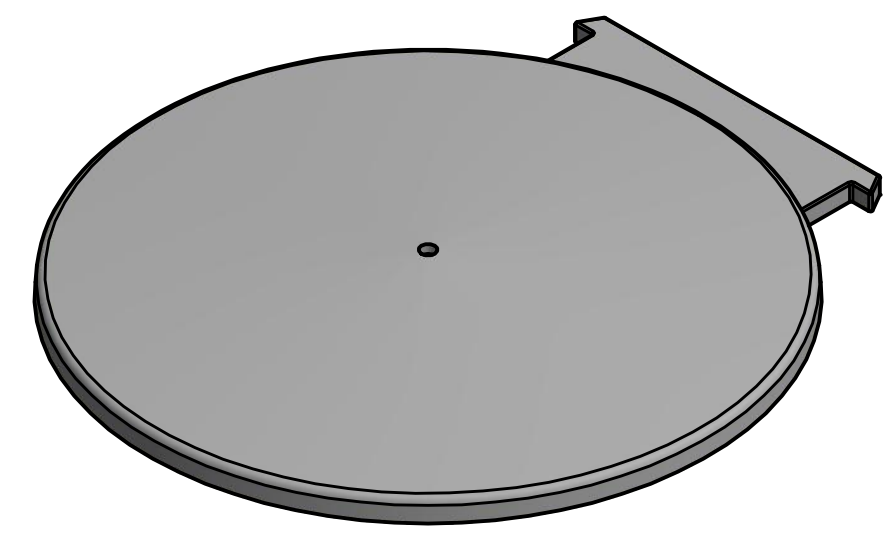
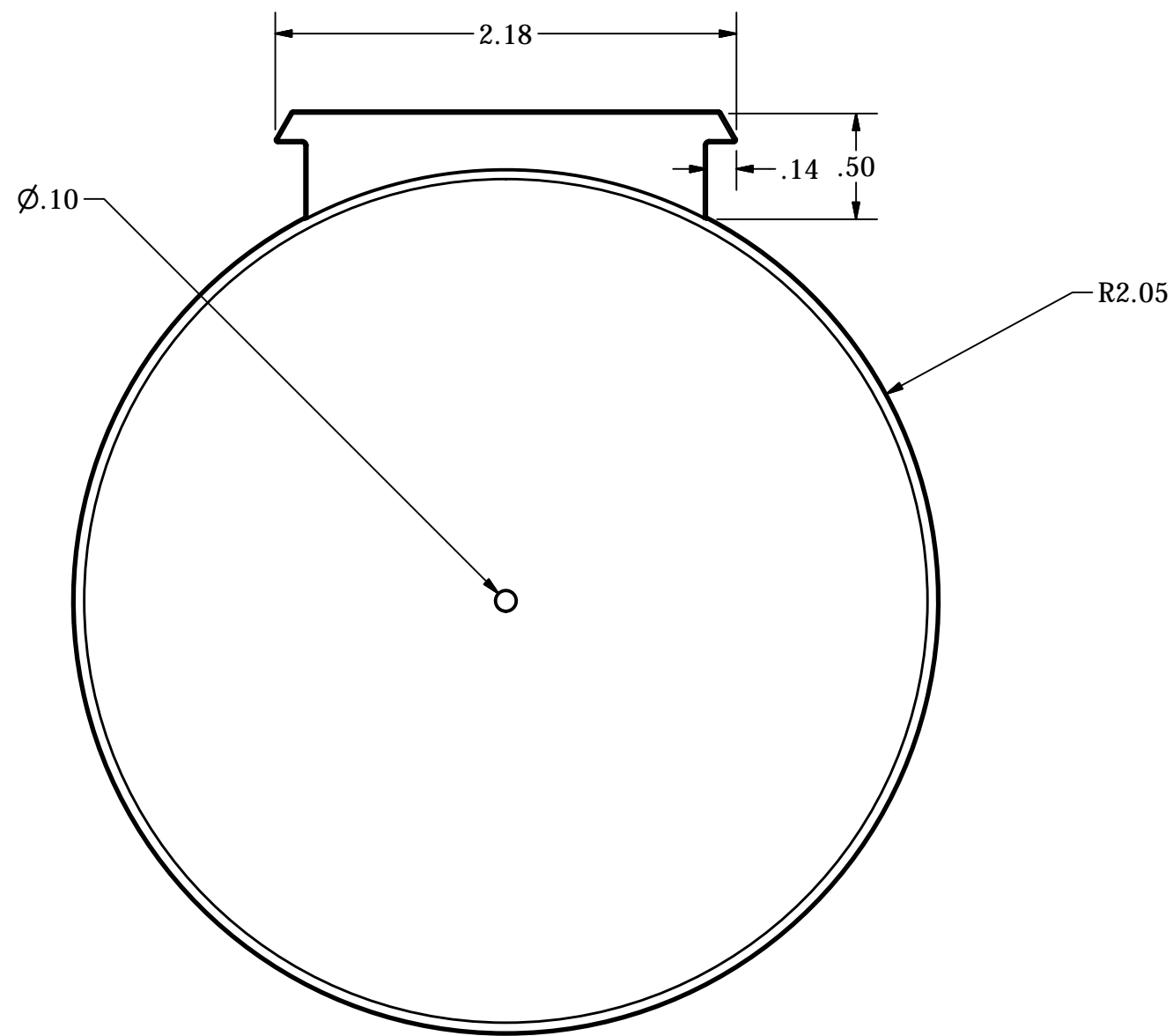
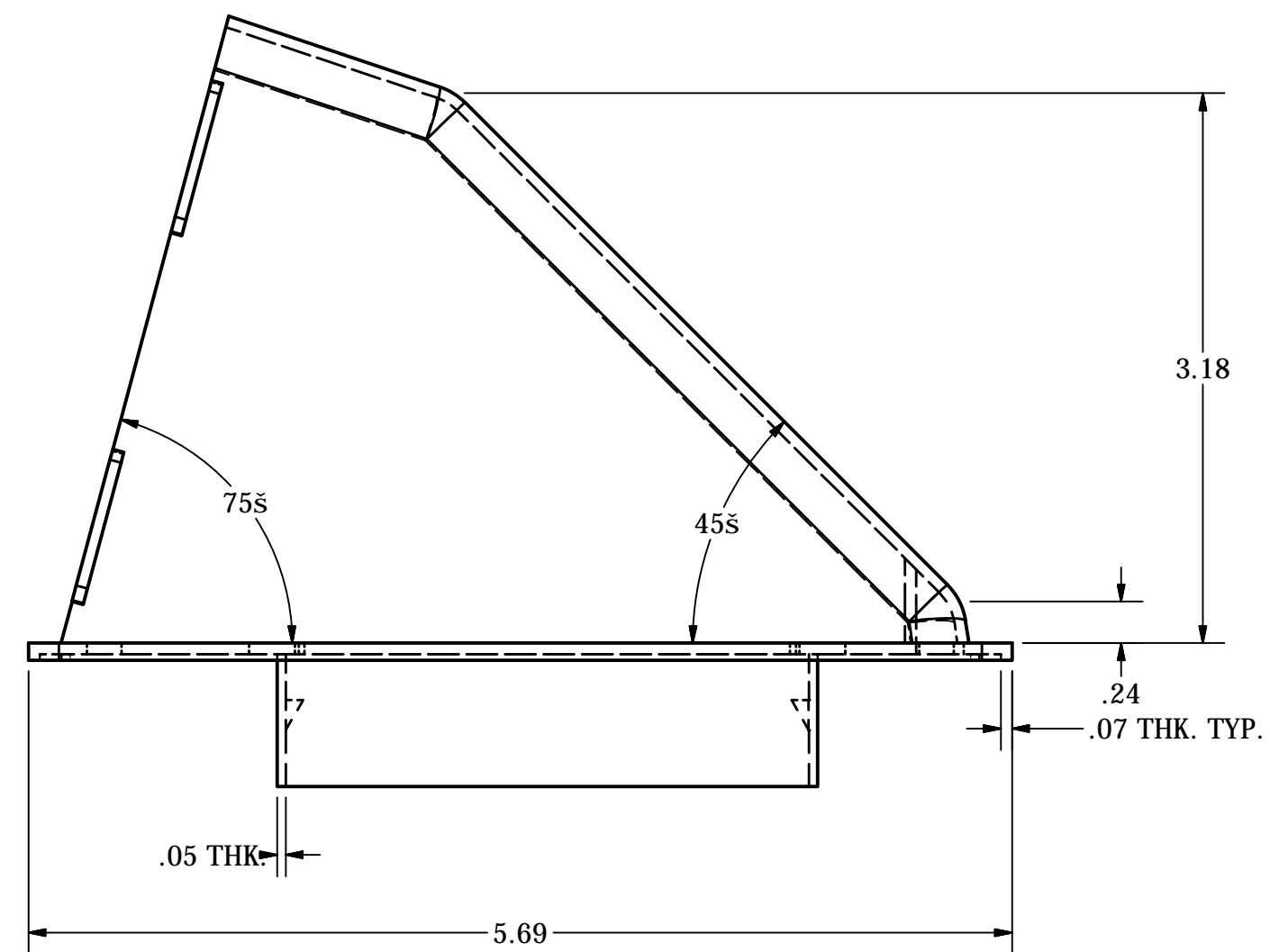
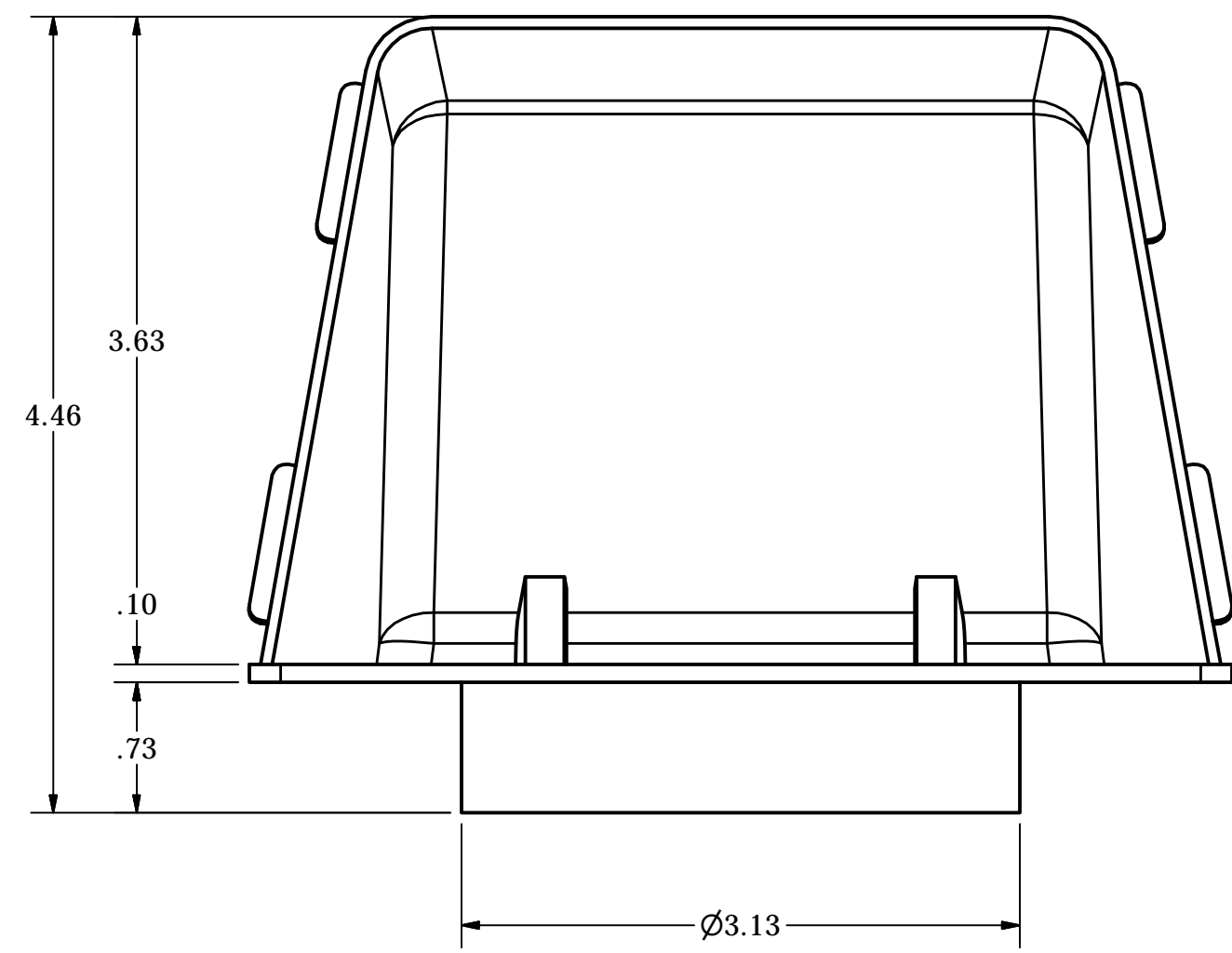
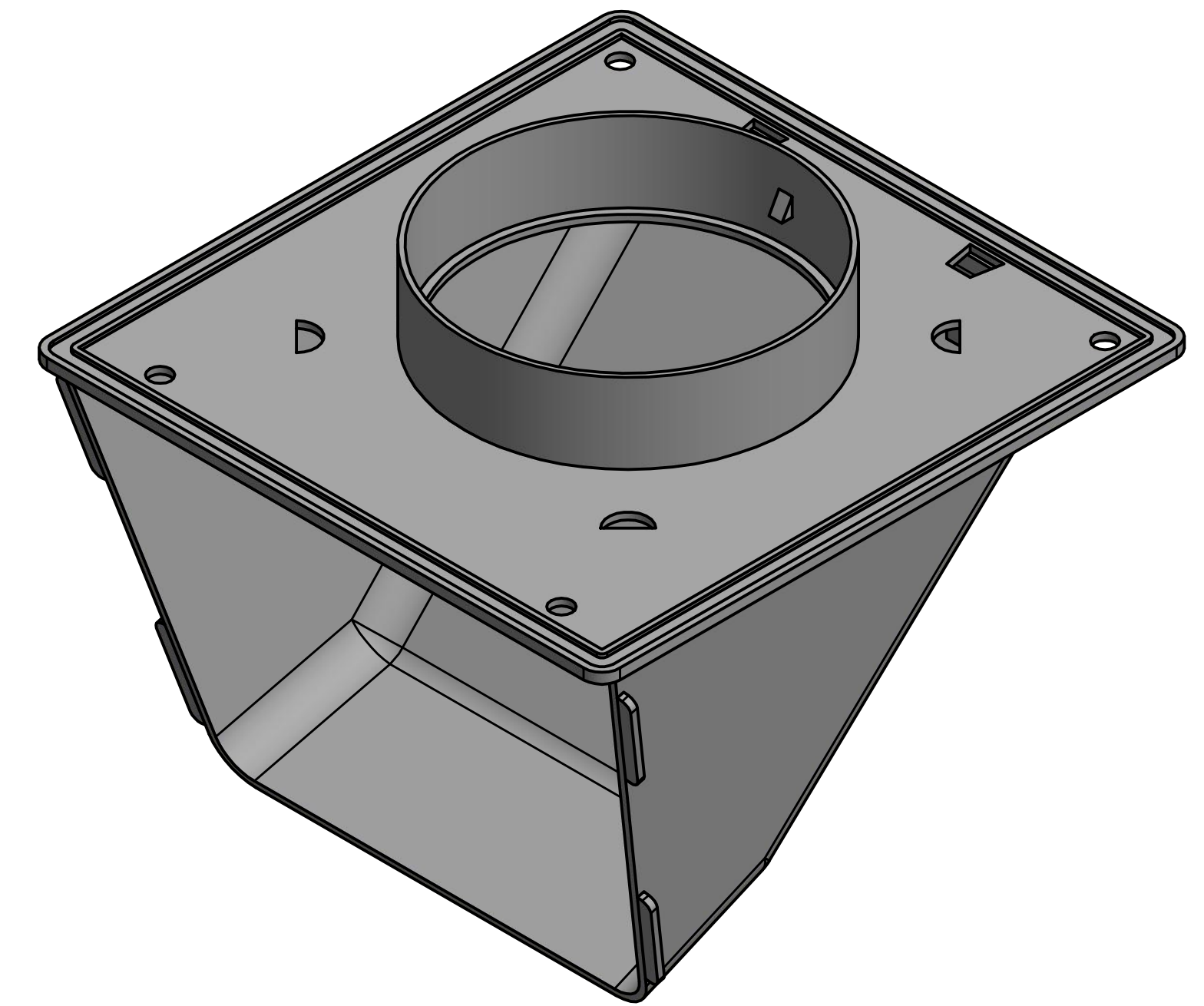
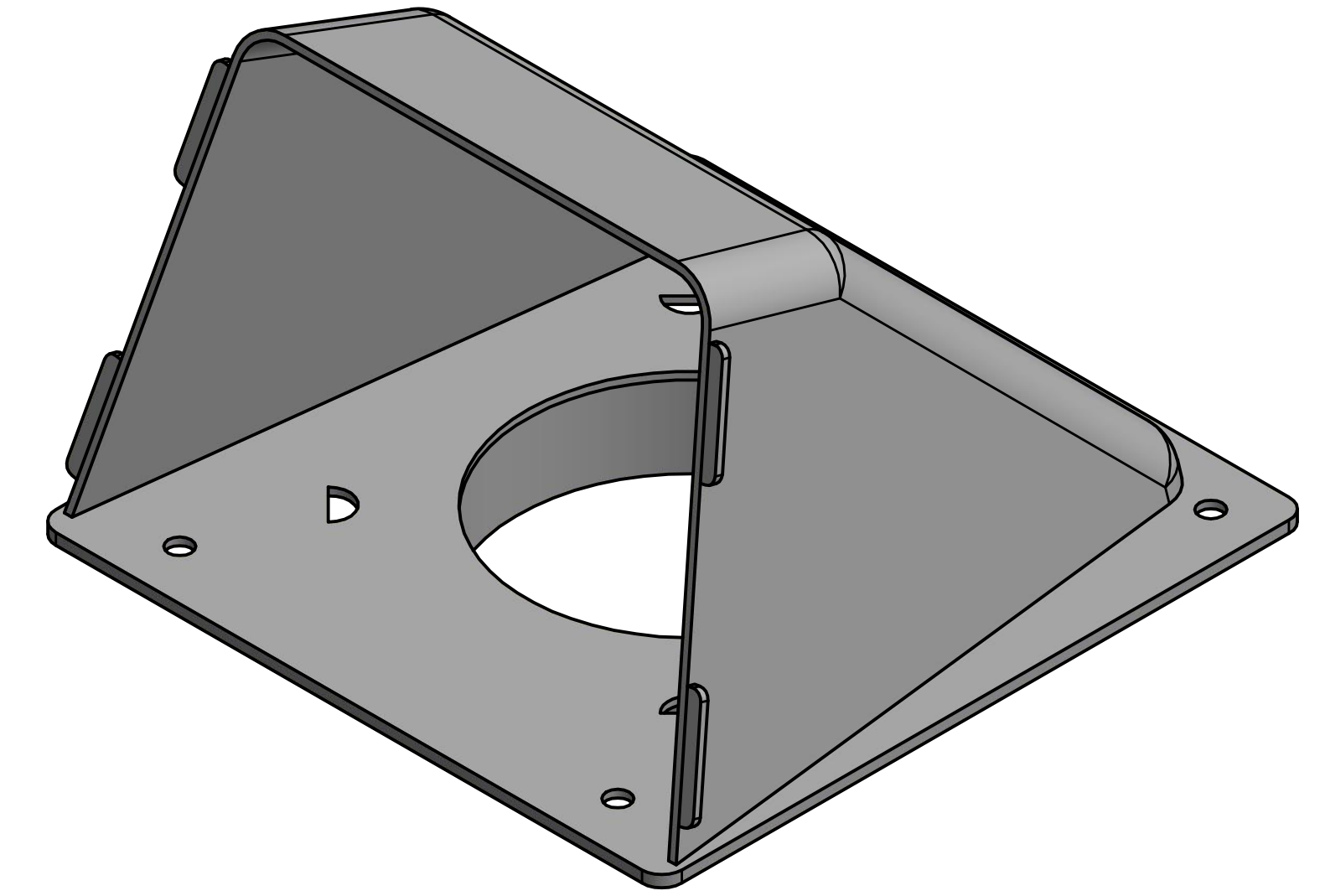
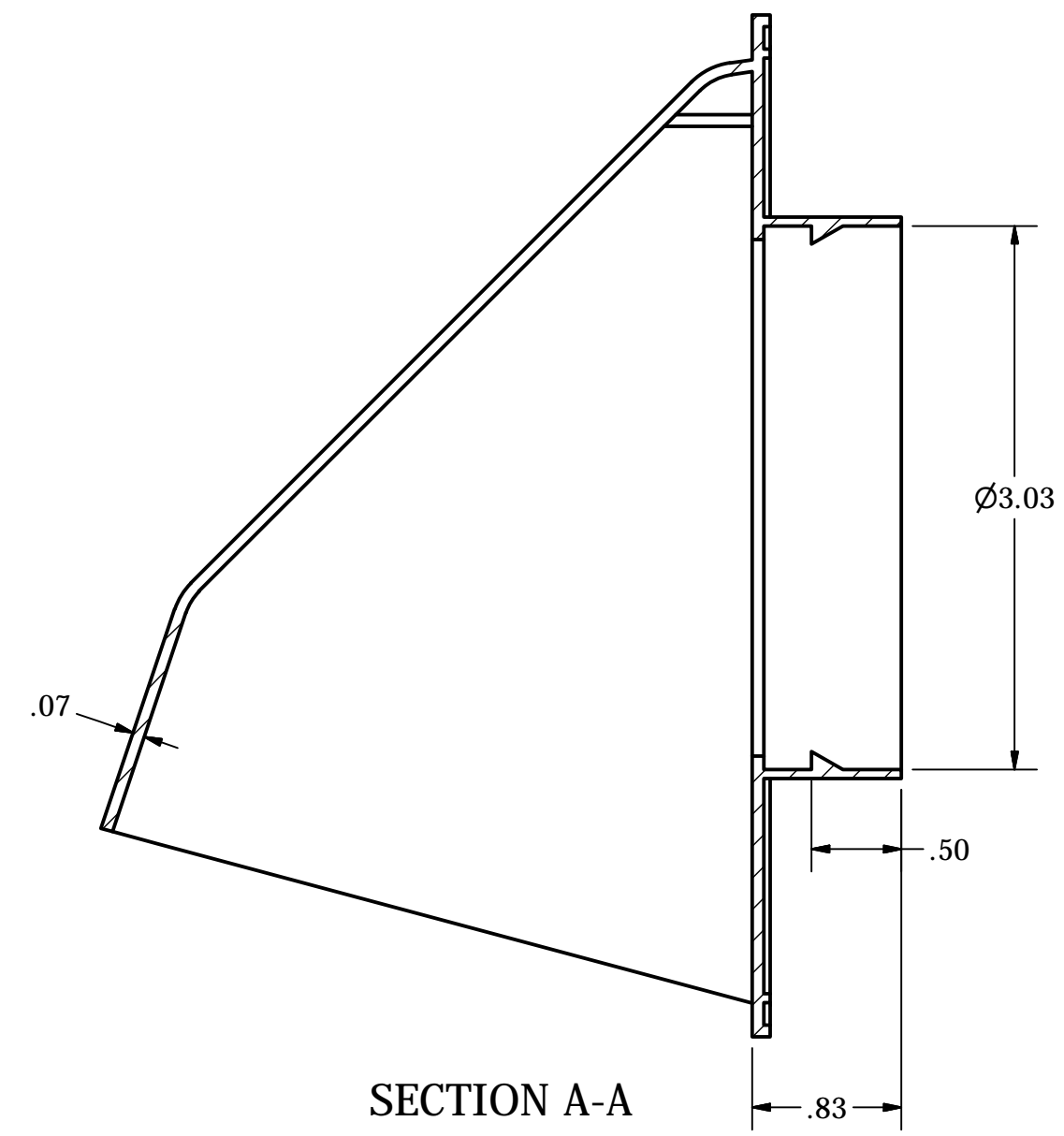
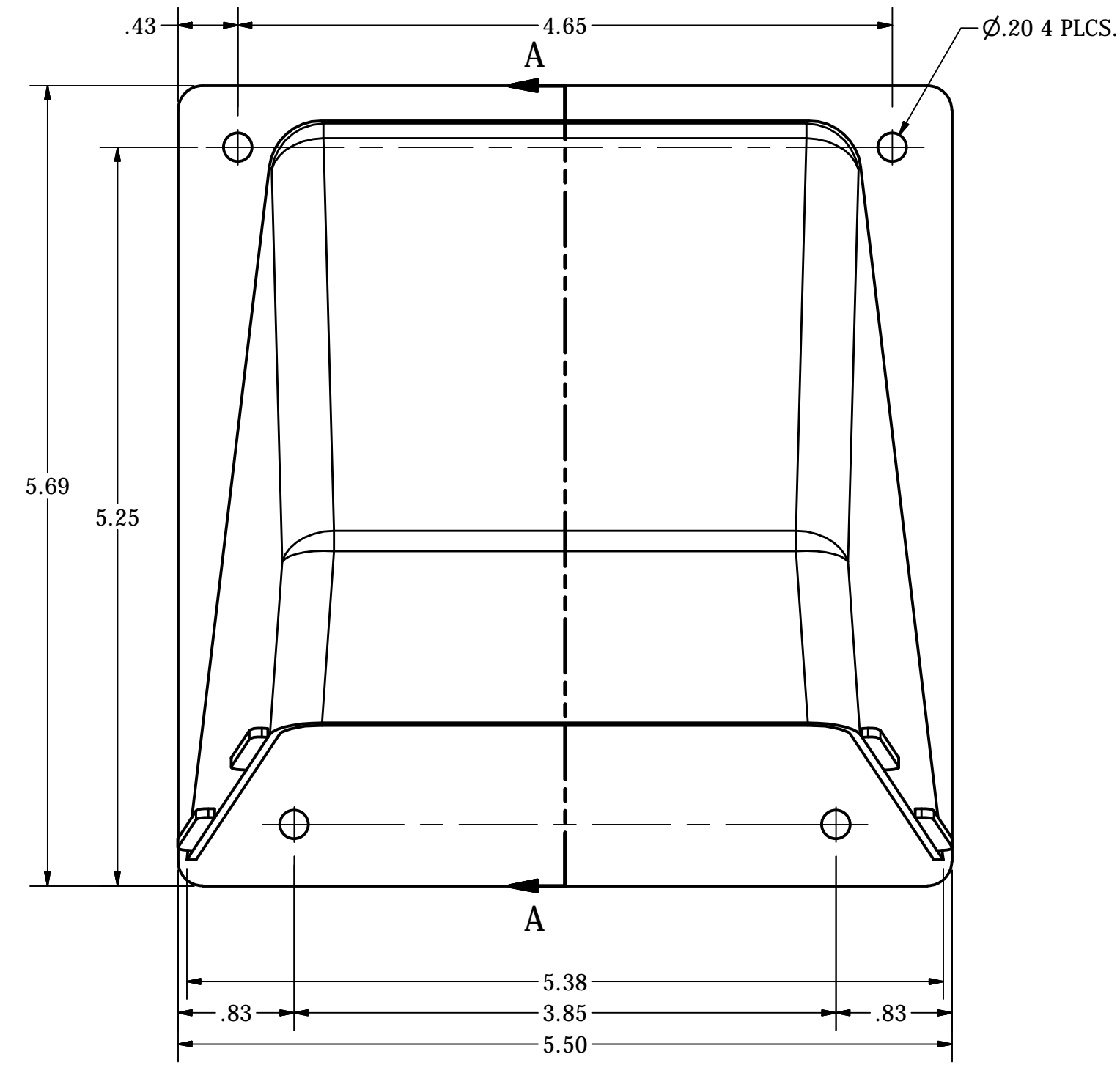


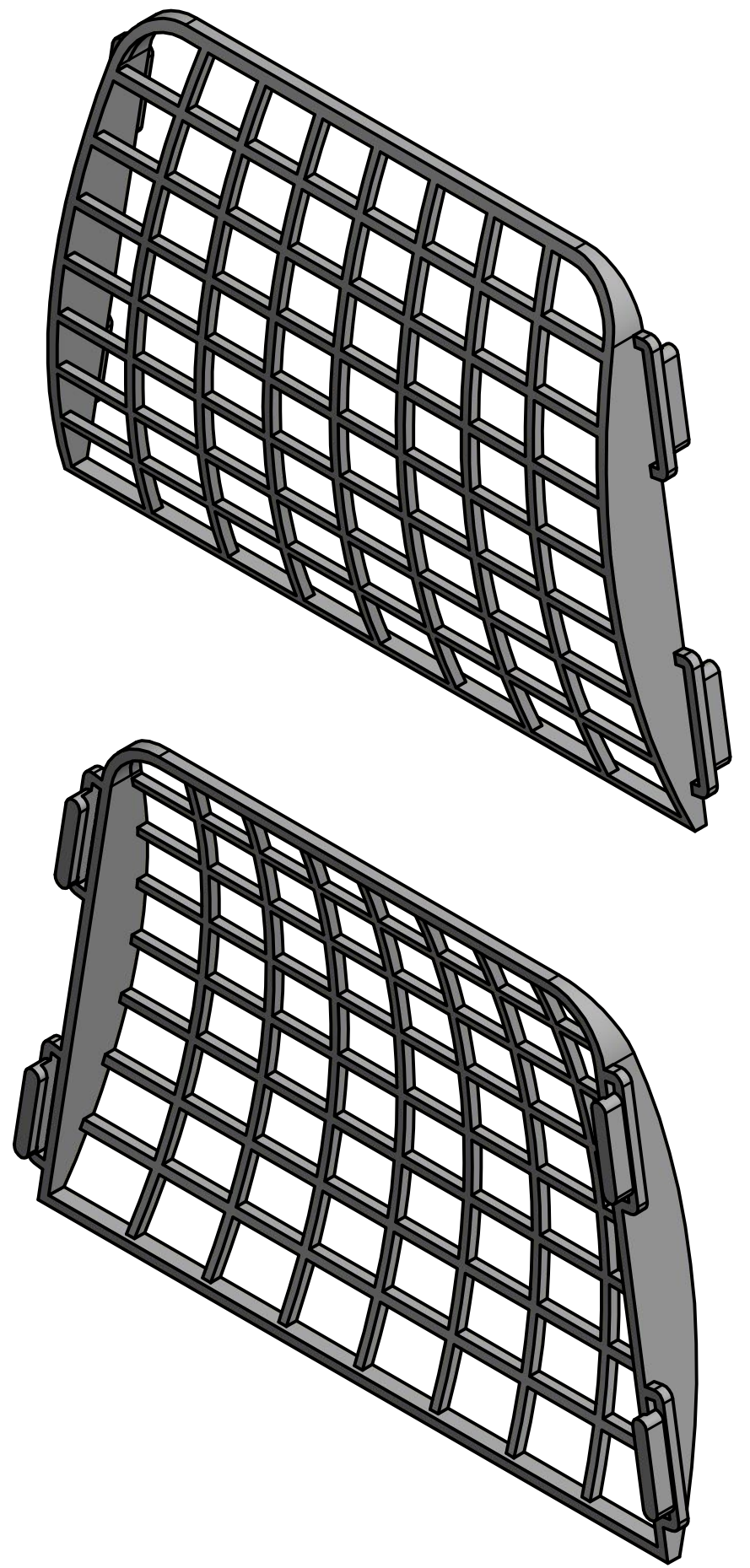
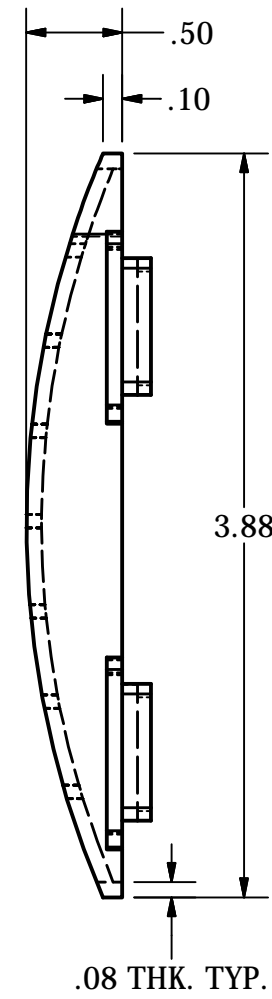
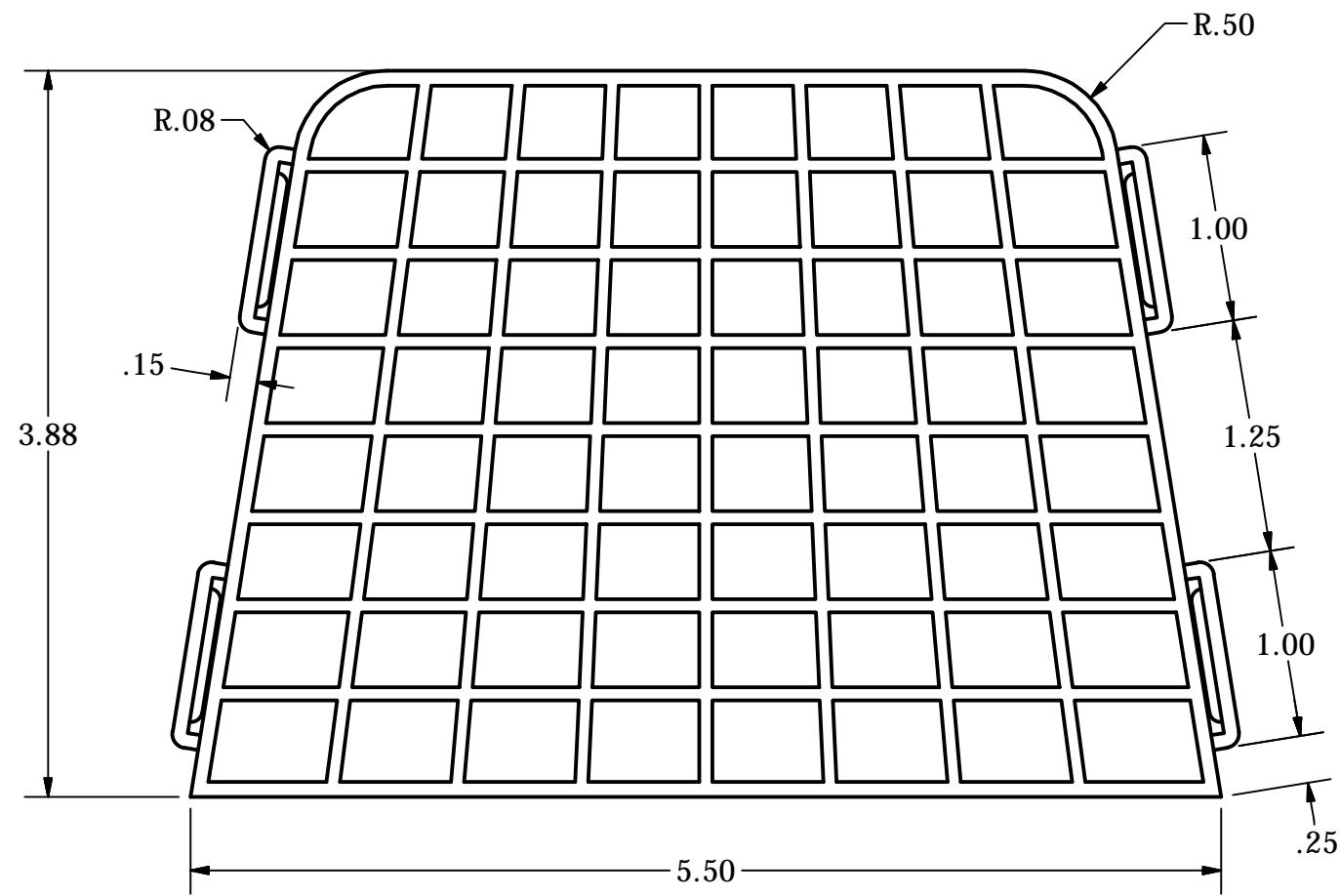
DRAWN J.VALENTI	4/5/2015	LAMBRO INDUSTRIES, INC.		
CHECKED		TITLE		
QA		222W WALL VENT ASSEMBLY		
MFG		SIZE	DWG NO	REV
APPROVED		D	222W	A
		SCALE	SHEET 1 OF 1	



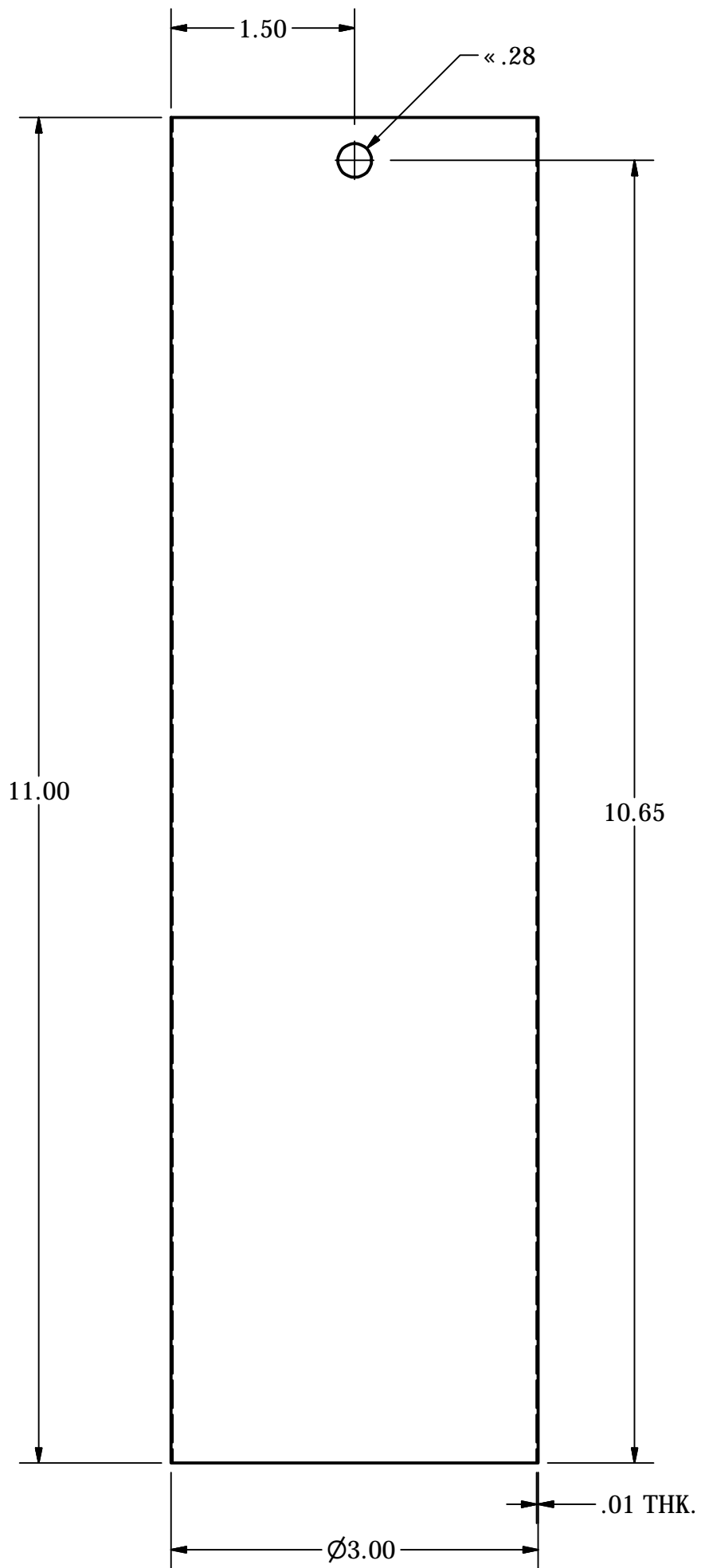
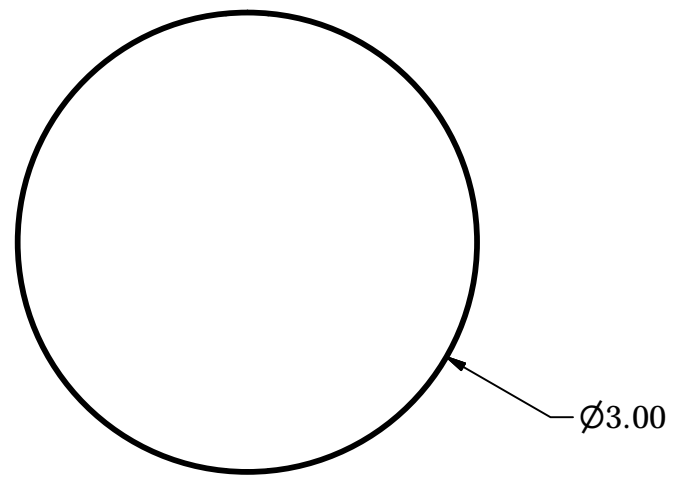
DRAWN J. VALENTI	4/5/2015	LAMBRO INDUSTRIES, INC.		
CHECKED		TITLE		
QA		222W EXHAUST FLAP		
MFG		SIZE	DWG NO	REV
APPROVED		C	222W	A
		SCALE	SHEET 1 OF 1	



DRAWN J. VALENTI	4/5/2015	LAMBRO INDUSTRIES, INC.		
CHECKED		TITLE		
QA		222W EXHAUST CAP		
MFG		SIZE	DWG NO	REV
APPROVED		D	222W	A
		SCALE	SHEET 1 OF 1	



DRAWN J. VALENTI	4/5/2015	LAMBRO INDUSTRIES, INC.		
CHECKED		TITLE		
QA		222W VENT GRILLE		
MFG		SIZE C	DWG NO 222W	REV A
APPROVED		SCALE	SHEET 1 OF 1	



MATERIAL: 30-GAUGE ALUMINUM

DRAWN J. VALENTI	4/5/2015	LAMBRO INDUSTRIES, INC.		
CHECKED		TITLE		
QA		222W TUBE		
MFG		SIZE	DWG NO	REV
APPROVED		C	222W	A
		SCALE	SHEET 1 OF 1	