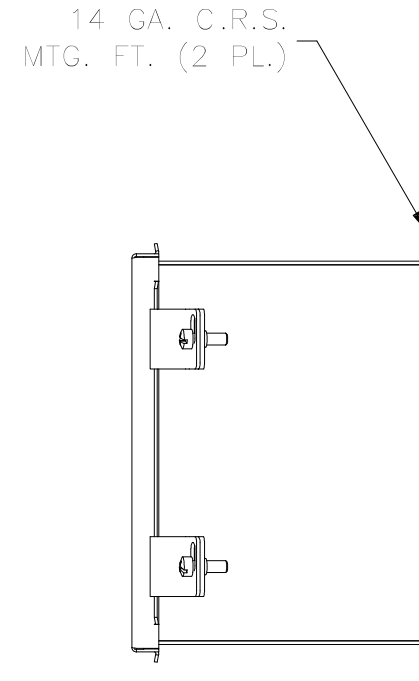
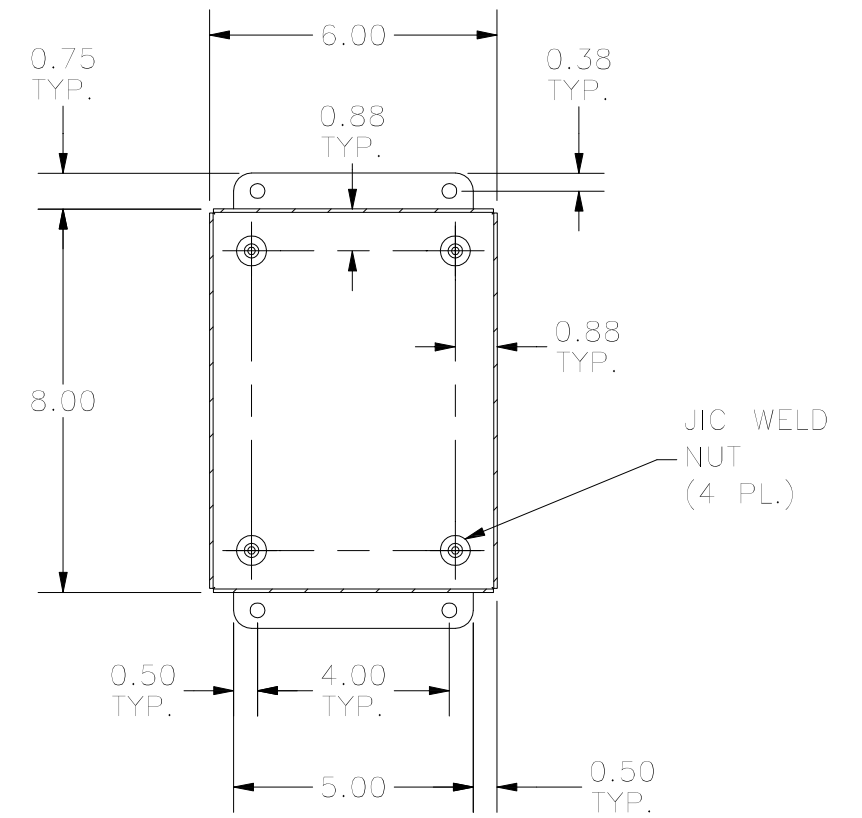


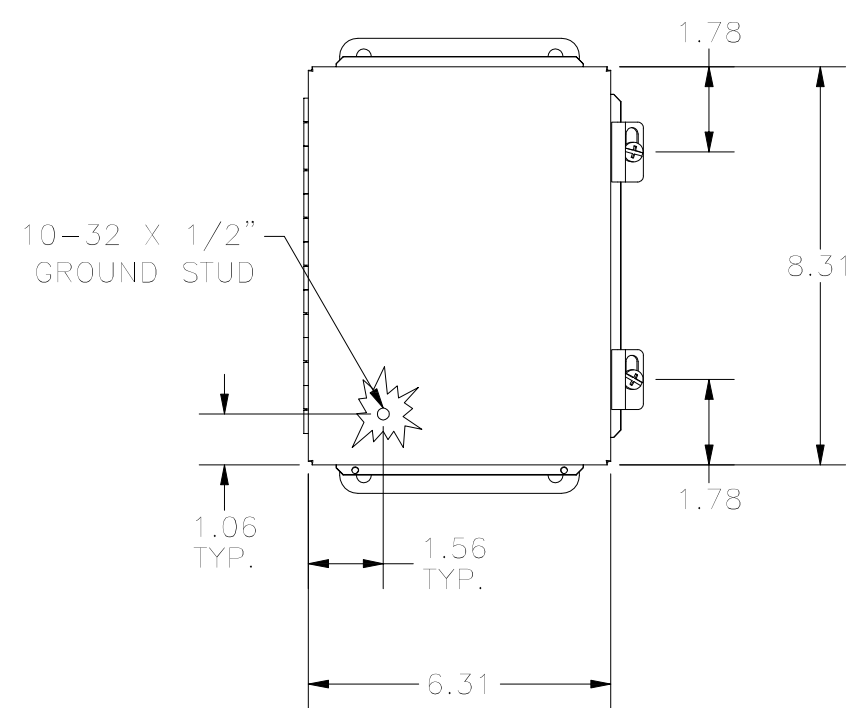
TOP VIEW



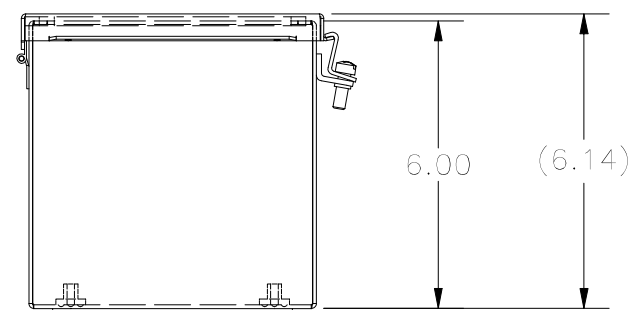
RIGHT SIDE VIEW



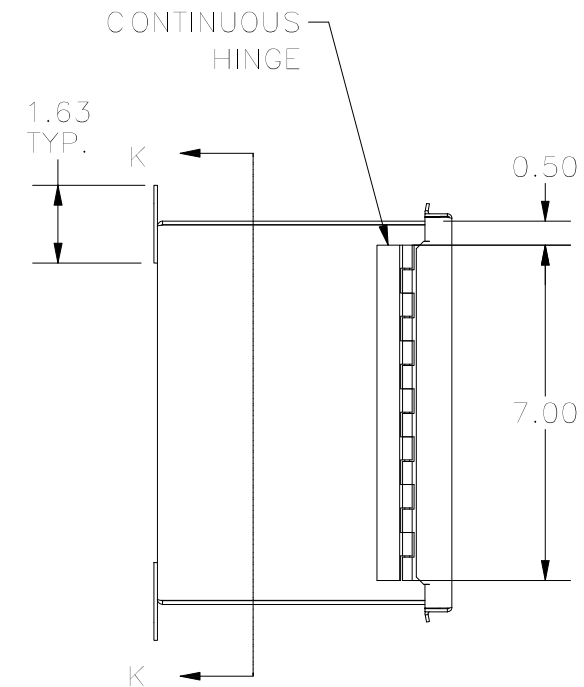
**SECTION K-K
(INSIDE BACK OF ENCLOSURE)**



FRONT VIEW



BOTTOM VIEW



LEFT SIDE VIEW

PART#: B080606CH
(DATA SUBJECT TO CHANGE WITHOUT NOTICE)

THIS DRAWING IS PROPERTY OF HUBBELL INC. WIEGMANN
ALL INFORMATION IS PROPRIETARY AND NOT TO BE DUPLICATED