

ITEM NUMBER	CATALOG NO.	INSULATION COLOR	WIRE SIZE	NEMA Tab Size	LENGTH (L)	WIDTH (W)	WIRE STRIP LENGTH	FIG. NO.
10001484	QP10F25X03D	YELLOW	10 - 12 AWG	.250 X .032	.98 [25]	.250 [6]	3/8"	1
10001482	QP10F18X02D	YELLOW	10 - 12 AWG	.187 X .020	.98 [25]	.187 [5]	3/8"	2
10001471	QP14F25X03D	BLUE	14 - 16 AWG	.250 X .032	.87 [22]	.250 [6]	3/8"	1
10001467	QP14F18X02D	BLUE	14 - 16 AWG	.187 X .020	.79 [20]	.187 [5]	3/8"	2
10098151	QP14F11X02D	BLUE	14 - 16 AWG	.110 X .020	.75 [19]	.110 [3]	3/8"	3
10001448	QP18F25X03D	RED	16 - 22 AWG	.250 X .032	.87 [22]	.250 [6]	3/8"	1
10001444	QP18F18X02D	RED	16 - 22 AWG	.187 X .020	.79 [20]	.187 [5]	3/8"	2
10098150	QP18F11X02D	RED	16 - 22 AWG	.110 X .020	.75 [19]	.110 [3]	3/8"	3

REV	DATE	DESCRIPTION	ECO	BY	C'HK.
D	02/15/2013	CHANGE WIRE RANGE FROM 18 -22AWG TO 16 - 22AWG	30440	PM	MB

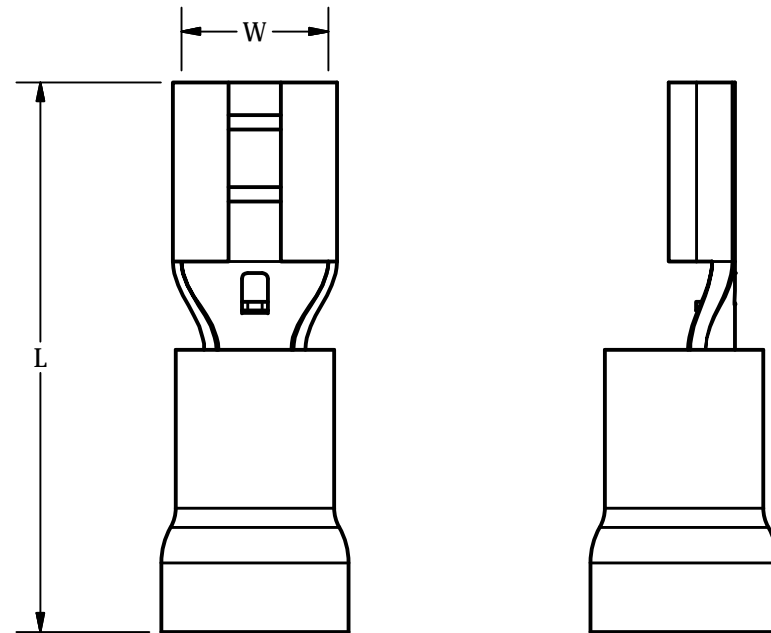


FIG. 1

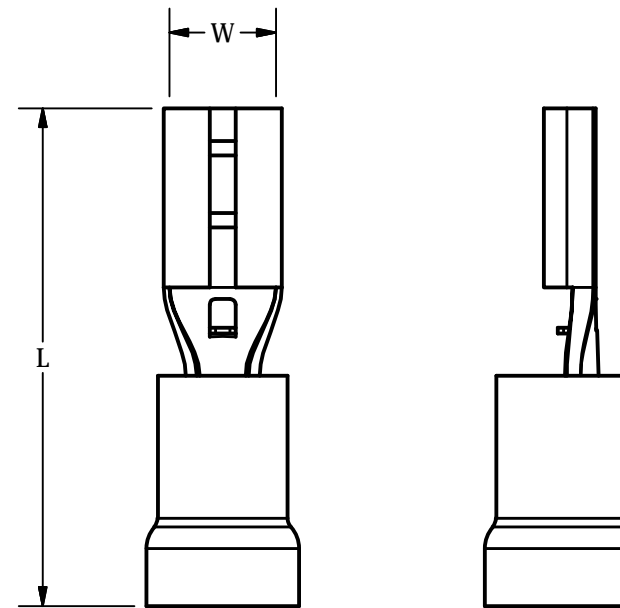


FIG. 2

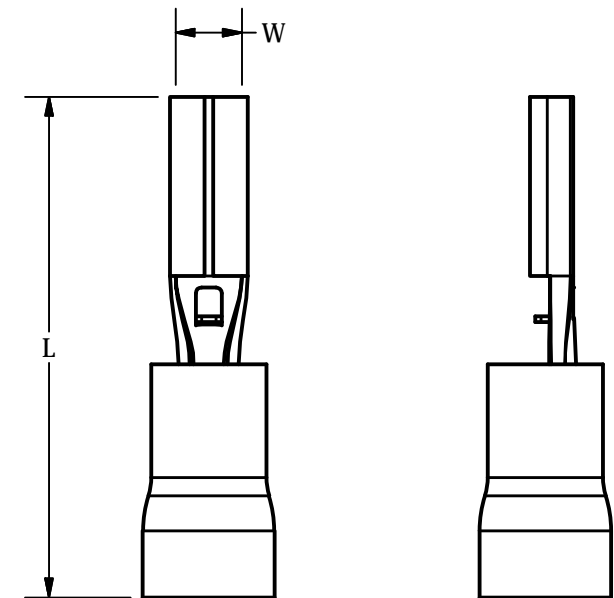


FIG. 3

NOTES:

- DIMENSIONS IN BRACKETS [ ] ARE IN MILLIMETERS, ROUNDED OFF TO THE NEAREST MILLIMETER AND ARE FOR REFERENCE ONLY, UNLESS OTHERWISE SPECIFIED.
- SUFFIX "D" DENOTES DISTRIBUTOR PACKAGING. REPLACE SUFFIX "D" WITH "B" FOR BULK PACKAGING.
- CONNECTORS ARE cULus LISTED FOR USE IN CANADA AND THE U.S.
- THIS CONNECTOR IS NOT cULus LISTED.
- INSTALLATION TOOLING: MRE1022NV, Y10D, Y1022.

TO ORDER BURNDY PRODUCTS CALL		VINYL INSULATED DISCONNECTS	
UNITED STATES		ITEM NO: SEE TABLE	
1-800-346-4175 (LONDONDERRY, NH)		CAT. NO: QP--F-- (SEE TABLE)	
CANADA:		DRAWN BY: E.MARTIN 01/25/2012	
1-800-361-6975 (QUEBEC)		CHECKER: --	
1-800-387-6487 (ALL OTHER PROVINCES)		DSN APRVL: E.MARTIN 4/28/2012	
FOR PRODUCT INFO: <a href="http://www.burndy.com">http://www.burndy.com</a>		MFG APRVL: --	
		QA APRVL: K.CHERYL 04/28/2012	
		MKT APRVL: G.STEWART 04/30/2012	
		PROD FAM: CM&R	
		DRAWING NO	
		50000755	
		REV	
		D	
		SHEET 1 OF 1	