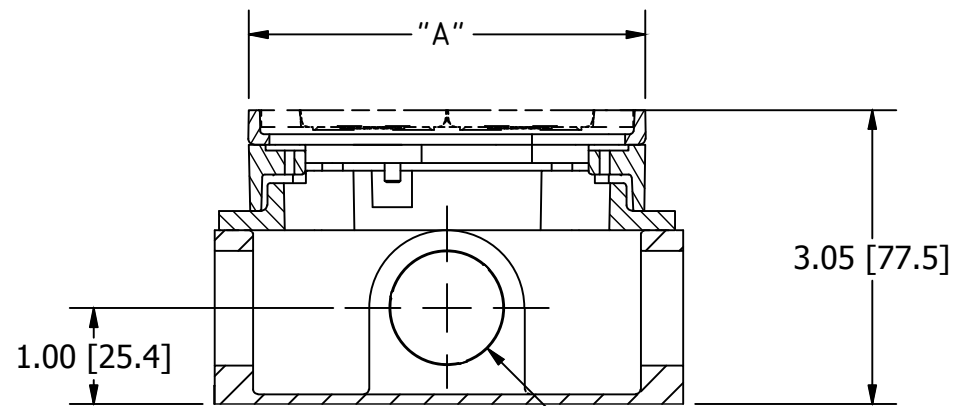
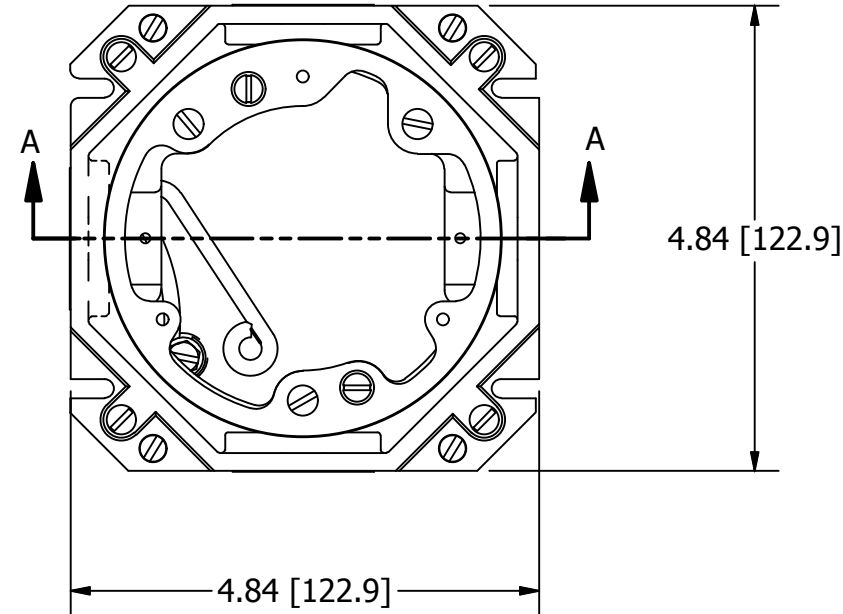
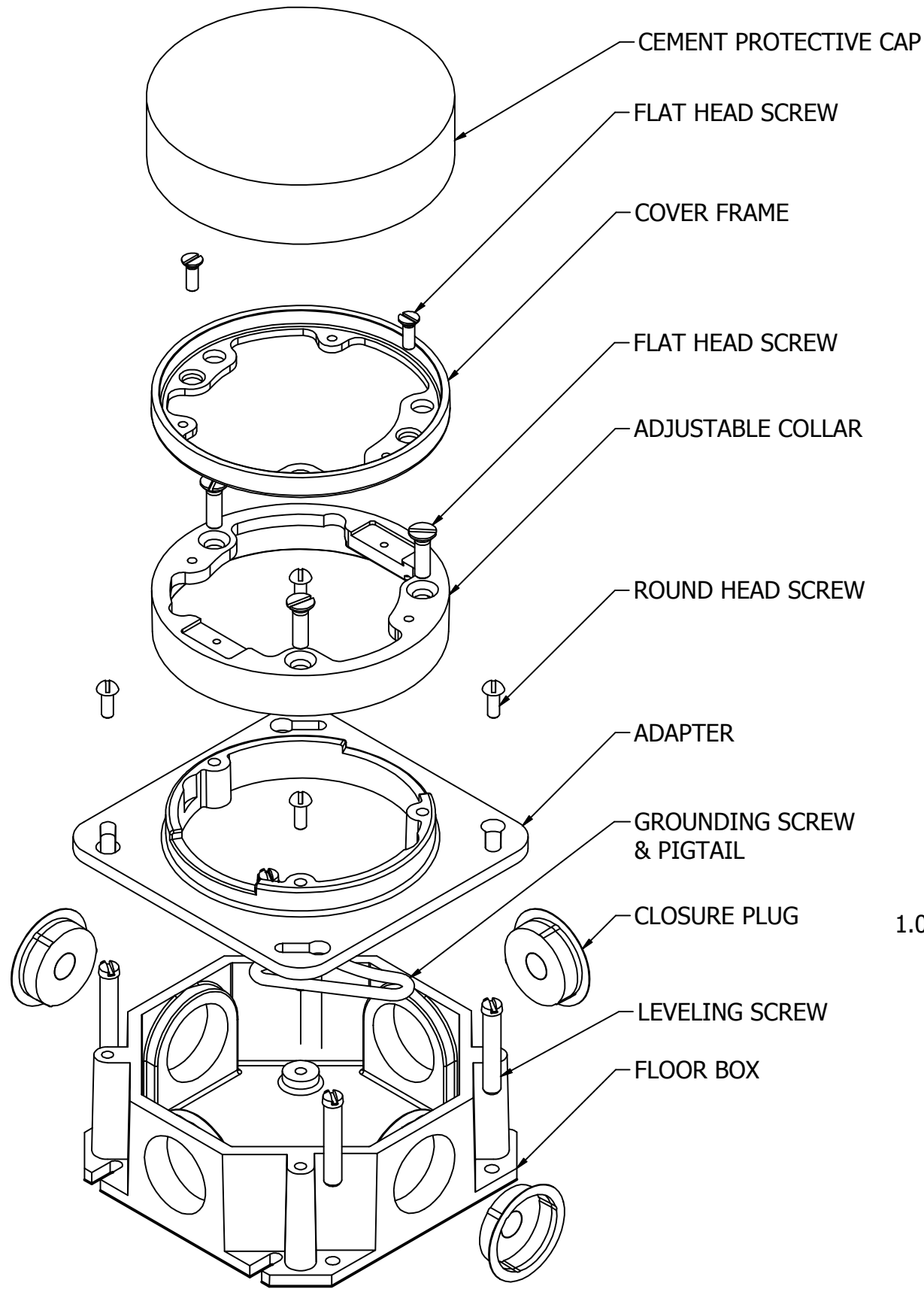


M-13156

1



SECTION A-A
THROUGH FLOOR

CATALOG NUMBER	DIMENSION "A"	HUB SIZE
B2536	ø4.09 [103.9]	ø.75
BA2536	ø4.19 [106.4]	ø.75
B253641	ø4.09 [103.9]	ø1.00

NOTES:
1. PRODUCT IS UL & CSA LISTED.COMPLIES WITH UL 514A, CSA C22.2 NO. 85-14.

CAGE CODE 74545

SHEET 1 OF 2

LIST OF PARTS

DESCRIPTION	MATERIAL	FINISH
FLOOR BOX (1-GANG)	GRAY IRON	GRAY
CLOSURE PLUG	STEEL	TIN PLATE
SCREW FLAT HEAD	STEEL	ZINC PLATE
SCREW ROUND HEAD	STEEL	ZINC PLATE
ADAPTER	GRAY IRON	GRAY
ADJUSTABLE COLLAR	GRAY IRON	GRAY
COVER FRAME	BRASS/AL	
SCREW,LEVELING	STEEL	ZINC PLATE
GROUNDING SCREW & PIGTAIL	COPPER	GREEN INSUL
PROTECTIVE CAP	STEEL	TIN PLATE

1	INITIAL RELEASE. PER DCN 22067	DDL	04/18/16
REV	DESCRIPTION	APP	DATE

THE DESIGN AND DIMENSIONS OF THE PRODUCT SHOWN ON THIS DRAWING ARE SUBJECT TO CHANGE WITHOUT NOTICE. DIMENSIONS ARE IN INCHES [mm].

TITLE
CAST, 3.25" DEEP ROUND BOX FAMILY



WIRING DEVICE-KELLEMS
HUBBELL INCORPORATED
SHELTON, CT

TOLERANCES UNLESS OTHERWISE SPECIFIED .XX = ±.01 .XXX = ±.005 ANGLE TOL. ±2'	DR. BY	SCALE	NONE
	CHK. BY DDL	DATE	04/15/16

DIMENSION SHEET FOR CAT. NO. B2536, BA2536, B253641

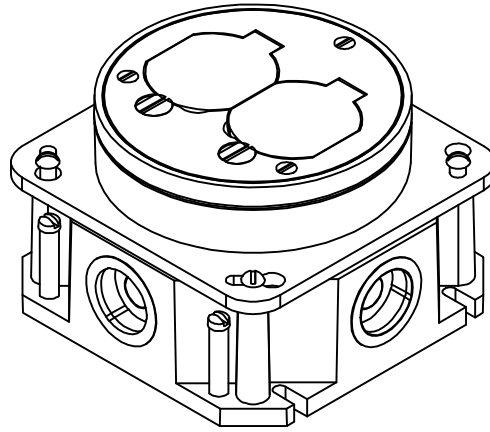
B

M-13156

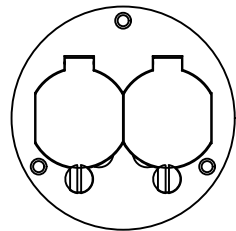
1

M-13156

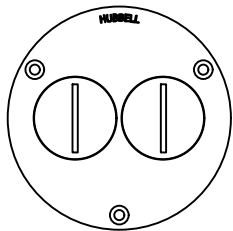
1



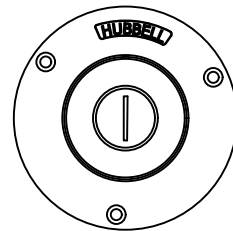
B2536
BA2536
B253641
CAST IRON FLOOR BOX
(COVER SOLD SEPARATELY)



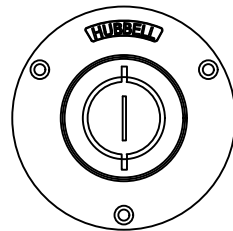
S3925
SA3925



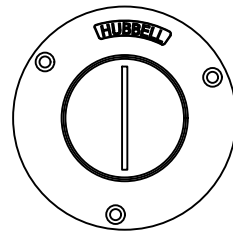
S3725
SA3725



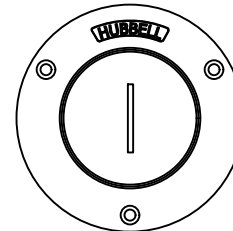
S2525
SA2525



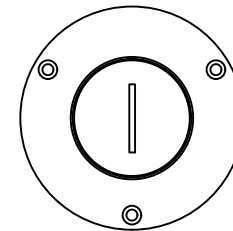
S2725
SA2725



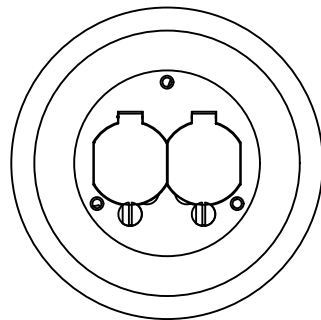
S2925
SA2925



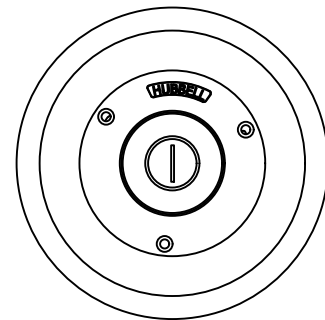
S3525



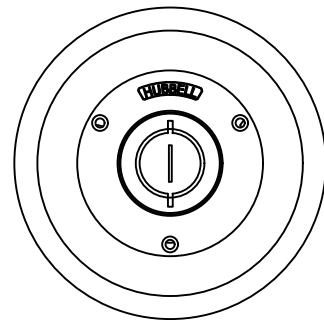
S3325



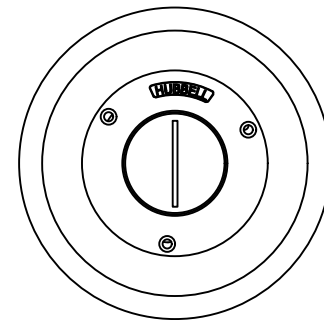
SF3925



SF2525



SF2725



SF2925

LIST OF PARTS

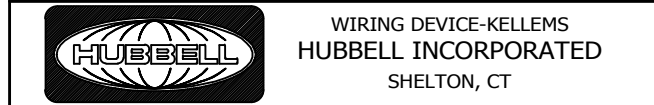
DESCRIPTION	MATERIAL	FINISH
SEE SHEET 1		

DIMENSION SHEET FOR CAT. NO.
B2536, BA2536, B253641,

1	INITIAL RELEASE. PER DCN 22067	DDL	04/18/16
REV	DESCRIPTION	APP	DATE

THE DESIGN AND DIMENSIONS OF THE
PRODUCT SHOWN ON THIS DRAWING ARE
SUBJECT TO CHANGE WITHOUT NOTICE.
DIMENSIONS ARE IN INCHES [mm].

TITLE
CAST, 3.25" DEEP ROUND BOX FAMILY



TOLERANCES UNLESS OTHERWISE SPECIFIED .XX = ±.01 .XXX = ±.005 ANGLE TOL. ±2'	DR. BY	SCALE	NONE
	CHK. BY	DATE	04/15/16

B
M-13156
1