

**BOTTOM VIEW OF MOUNTING AND CABLE ENTRANCE**

CUSTOMER TERMINATION			
LOCATION	CONNECTION TYPE	HOLE SIZE	HOLE QTY
PRIMARY BUS BARS	STANDARD BUS BAR (LUGS ARE OPTIONAL)	.41 [10.3] DIA	2 PER BUS BAR
SECONDARY BUS BARS			


**APPROX TOTAL WEIGHT LBS [KG]**

**PAINTED: 1030 [467]**  
**STAINLESS STEEL: 1050 [476]**

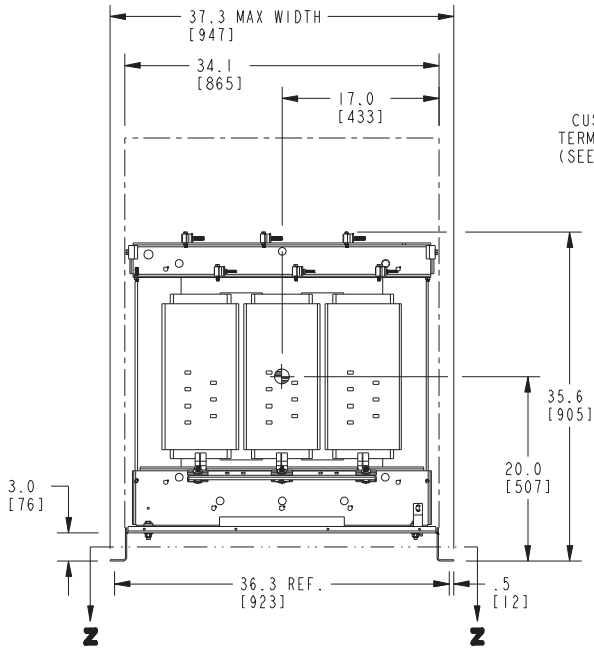
**kVA RATING:** 150 kVA  
**K-FACTOR:** K1  
**PRI VOLTAGE:** 480  
**SEC VOLTAGE:** 208Y/120  
**FREQ (Hz):** 60 Hz  
**TEMP RISE:** 150C  
**WINDING MATL:** Aluminum  
**ES SHIELD:** NO  
**SOUND LVL (dB):** Std

**NOTES:**

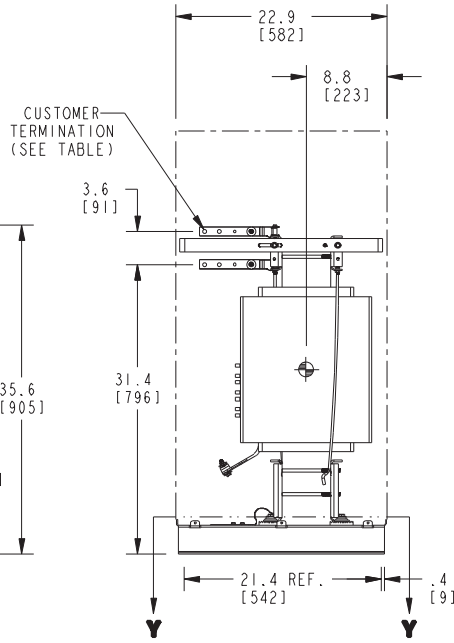
- 1) ALL UNITS ARE UL LISTED AND ARE DESIGNED PER NEMA ST-20 STANDARDS.
- 2) THE TEMPERATURE RISE LISTED WAS DETERMINED WHEN THE TRANSFORMER WAS MOUNTED IN A STANDARD NEMA-2 ENCLOSURE.
- 3) TRANSFORMER IS DESIGNED FOR FLOOR MOUNTING. OPTIONAL WALL MOUNTING BRACKETS ARE NOT AVAILABLE FOR THIS DESIGN/STYLE.
- 4) TRANSFORMER IS DRY TYPE, CLASS AA, WITH VENTILATED ENCLOSURE FOR INDOOR USE. OPTIONAL RAINSHIELD KITS ARE AVAILABLE TO ADAPT UNIT FOR TYPE 3R OUTDOOR USE WITHOUT VOIDING THE WARRANTY.
- 5) APPLICABLE WHEN OPTIONAL RAINSHIELDS ARE INSTALLED. RAINSHIELDS ARE SHIPPED IN KITS FOR FIELD INSTALLATION.
- 6) CABLE ENTRANCE IS PERMITTED THROUGH THE LEFT SIDE, RIGHT SIDE AND/OR BOTTOM ENCLOSURE PANELS ONLY. CABLE ENTRANCE IS NOT PERMITTED THROUGH THE FRONT, REAR OR TOP PANELS.
- 7) FOR LIFTING OTHER THAN WITH A FORK TRUCK, REMOVE TOP COVER AND USE 1" [25 MM] DIAMETER HOLES IN THE TOP CORE CLAMPS.
- 8) ENCLOSURE PAINT COLOR IS ANSI #61 GRAY.
- 9) 6" [152 MM] MINIMUM CLEARANCE IS REQUIRED FROM ALL WALLS.
- 10) USE THIS DIMENSION WHEN PLANNING THE MOUNTING PAD.

<b>JOB NAME:</b>	UNLESS OTHERWISE SPECIFIED ALL DIMENSIONS ARE INCH [MM]	 <b>Midwest Electric Products</b>
	THIRD ANGLE PROJECTION	
<b>DRAWING:</b> 303B111MWDYP76A	SHEET 1 OF 2	<b>DRY TYPE GENERAL PURPOSE TRANSFORMER          THREE-PHASE, 2016 DOE EFFICIENCY          (ENCLOSED OUTLINE DRAWING)</b>
		<b>CATALOG # 9T10W1006</b>
		<b>REV 1</b>

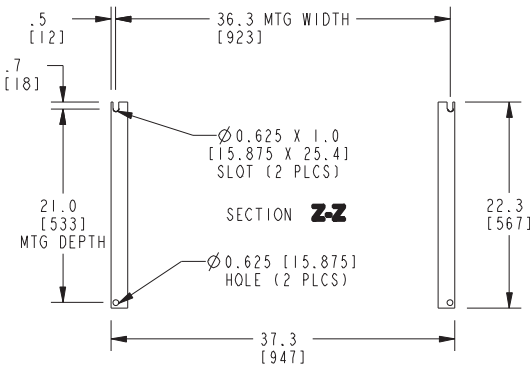
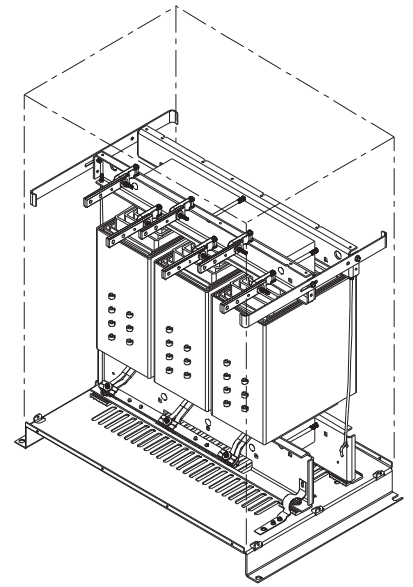
**FRONT VIEW**



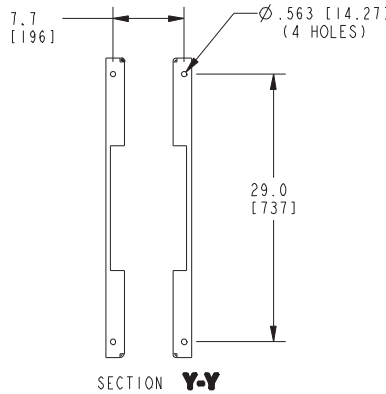
**SIDE VIEW**



**ISOMETRIC VIEW**



**BOTTOM VIEW OF MOUNTING HOLE PATTERN**



**BOTTOM VIEW OF MOUNTING HOLE PATTERN WITHOUT BASE ATTACHED**

**CUSTOMER TERMINATION**

LOCATION	CONNECTION TYPE	HOLE SIZE	HOLE QTY
PRIMARY BUS BARS	STANDARD BUS BAR (LUGS ARE OPTIONAL)	.41 [10.3] DIA	2 PER BUS BAR
SECONDARY BUS BARS			

**APPROX TOTAL WEIGHT LBS [KG]**  
**PAINTED: 900 [408]**

**kVA RATING:** 150 kVA  
**K-FACTOR:** K1  
**PRI VOLTAGE:** 480  
**SEC VOLTAGE:** 208Y/120  
**FREQ (Hz):** 60 Hz  
**TEMP RISE:** 150C  
**WINDING MATL:** Aluminum  
**ES SHIELD:** NO  
**SOUND LVL (dB):** Std

**NOTES:**

- 1) ALL UNITS ARE UL LISTED AND ARE DESIGNED PER NEMA ST-20 STANDARDS.
- 2) THE TEMPERATURE RISE LISTED WAS DETERMINED WHEN THE TRANSFORMER WAS MOUNTED IN A STANDARD NEMA-2 ENCLOSURE.
- 3) TRANSFORMER IS DRY TYPE, CLASS AA FOR INDOOR USE.
- 4) FOR LIFTING OTHER THAN WITH A FORK TRUCK, USE 1" [25 MM] DIAMETER HOLES IN THE TOP CORE CLAMPS.
- 5) BASE PAINT COLOR IS ANSI #61 GRAY.
- 6) 6" [152 MM] MINIMUM CLEARANCE IS REQUIRED FROM ALL WALLS.
- 7) ⊕ INDICATES APPROXIMATE CENTER OF GRAVITY.

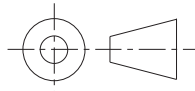
**JOB NAME:**

UNLESS OTHERWISE SPECIFIED  
 ALL DIMENSIONS ARE INCH [MM]



**Midwest Electric Products**

THIRD ANGLE PROJECTION



**DRY TYPE GENERAL PURPOSE TRANSFORMER  
 THREE-PHASE, 2016 DOE EFFICIENCY  
 (OPEN CORE AND COIL OUTLINE DRAWING)**

**DRAWING: 303B111MWDYP76A**

**SHEET 2 OF 2**

**CATALOG # 9T10W1006**

**REV 1**