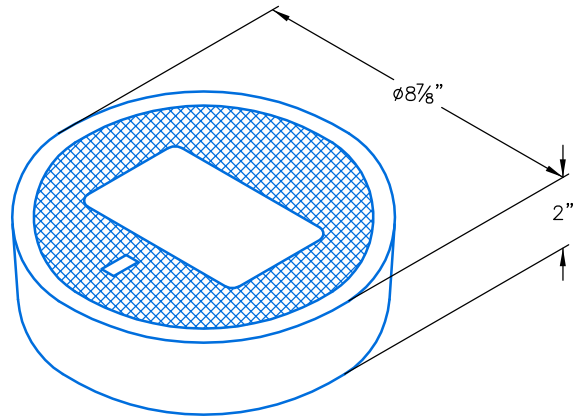
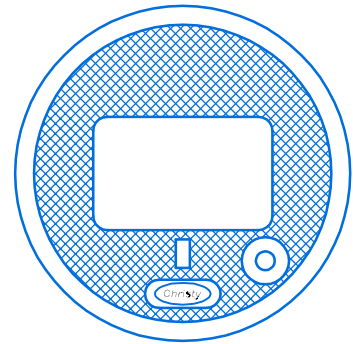
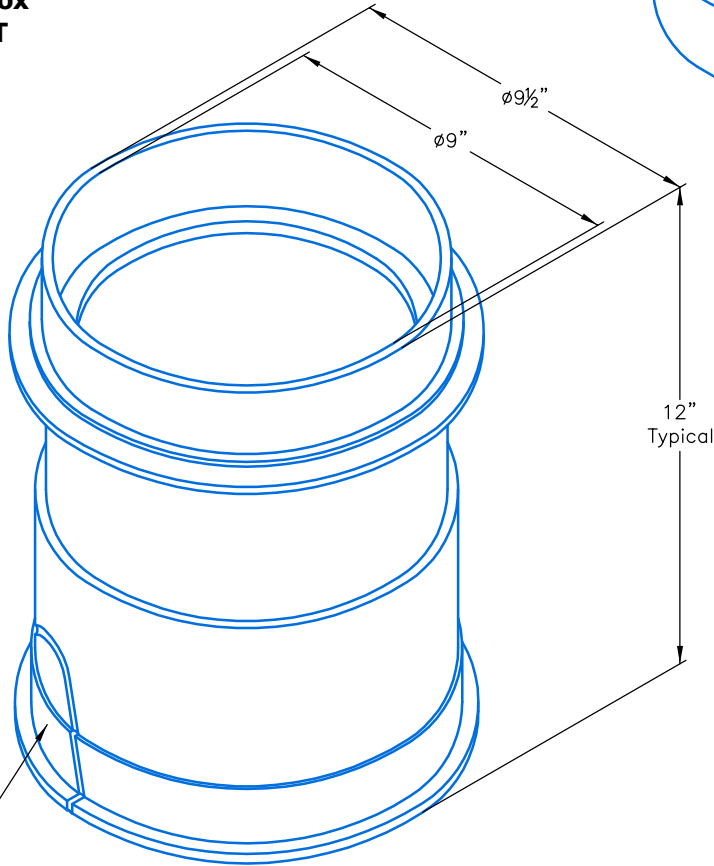


**Fibrelyte Lid
No. FL08D
2 lbs.**



**Fibrelyte Box
No. FL08T
6 lbs.**



FL08T

Mouse Hole
Knock Out

All Fibrelyte valve and utility boxes are designed to receive either Fibrelyte, standard Christy Concrete or cast iron lids. Fibrelyte is a durable, light weight and proven alternative to concrete. Approximate dimensions and weight shown.

Oldcastle Ordering Code	Item	Approx. Shipping Weight	Description
FL08TBOX	BOX	6 lbs.	FL08T Box (9" dia. I.D. x 12" High) – 64 per pallet
FL08D	LID	2 lbs.	Fibrelyte Lid
FL08T	LID	2 lbs.	Fibrelyte Lid, Bolt Down
ADS	EXTENSION		ADS plastic extension 6", 8", 12", 18" & 10' Standard lengths. Others on request. No adapter required.



Oldcastle Precast®
Enclosure Solutions

Phone: (800) 486-7070 Fax: (800) 486-6804
Copyright© 2011 Oldcastle Precast Inc.

FL08T BOX

FILE NAME: FL08_ISO

ISSUE DATE: January, 2011

www.oldcastleprecast.com

FL08 FIBRELYTE BOX
9" x 12"

FIBRELYTE®