

DESCRIPTION:
SNAPRACK, ULTRA RAIL STANDARD BASE SEAM CLAMP WITH L FOOT AND LOCK

DRAWN BY:

mwatkins

SnapNrack™
Solar Mounting Solutions

PART NUMBER(S):

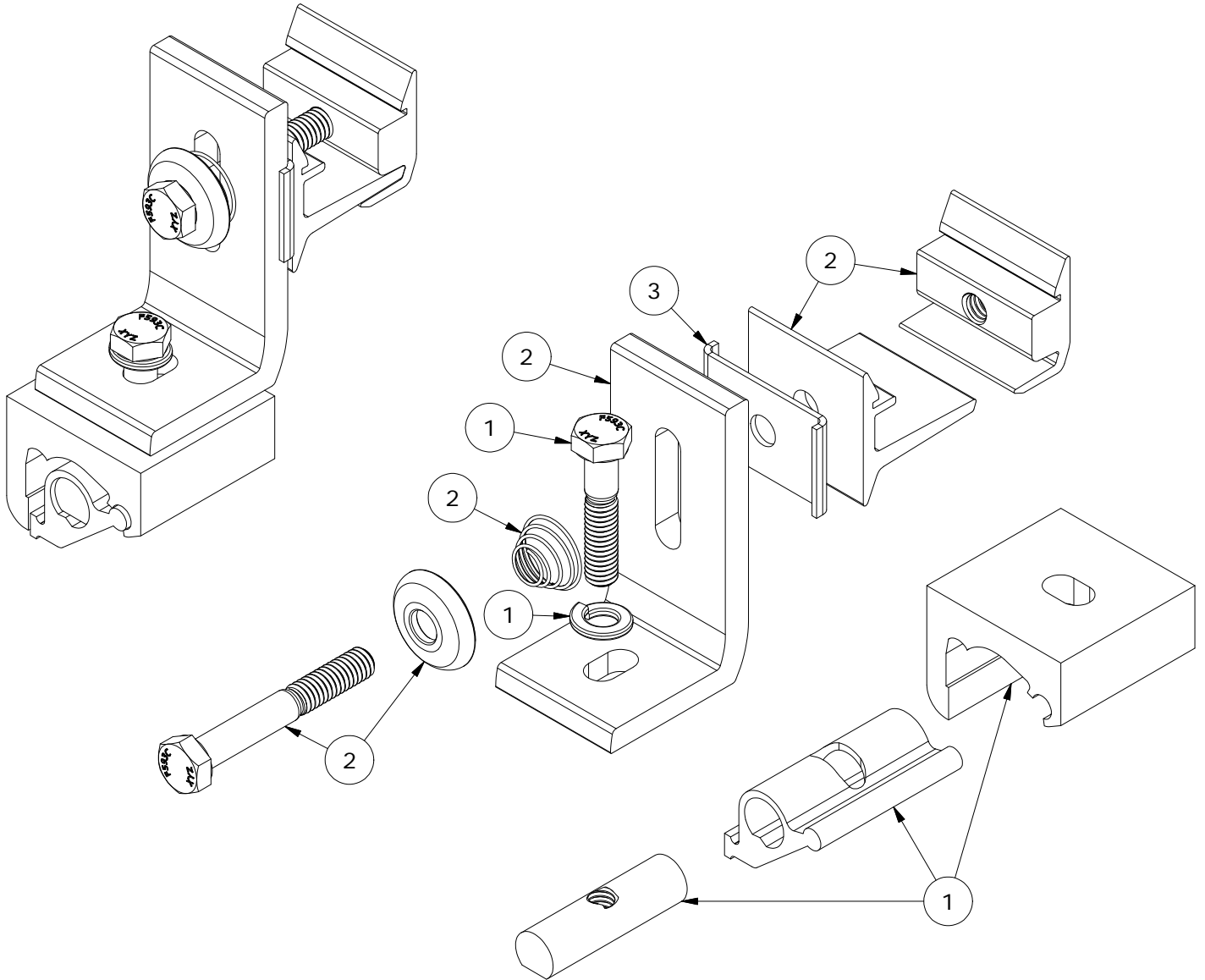
242-05158

REVISION:

A

595 MARKET STREET, 29TH FLOOR • SAN FRANCISCO, CA 94105 USA
 PHONE (415) 580-6900 • FAX (415) 580-6902

THE INFORMATION IN THIS DRAWING IS CONFIDENTIAL AND PROPRIETARY. ANY REPRODUCTION, DISCLOSURE, OR USE THEREOF IS PROHIBITED WITHOUT THE WRITTEN CONSENT OF SUNRUN SOUTH LLC.



PARTS LIST

ITEM	QTY	DESCRIPTION
1	1	SNAPRACK, STANDARD BASE SEAM CLAMP
2	1	SNAPRACK, ULTRA FOOT FOR 5/16IN, SILVER
3	1	SNAPRACK, SEAM CLAMP ROTATION LOCK

MATERIALS:	6000 SERIES ALUMINUM, STAINLESS STEEL	OPTIONS:
DESIGN LOAD (LBS):	235 UP, 235 DOWN, 212 SIDE	
ULTIMATE LOAD (LBS):	686 UP, 353 DOWN, 637 SIDE	
TORQUE SPECIFICATION:	16.7 LB-FT	
CERTIFICATION:	UL 2703, FILE E359313	
WEIGHT (LBS):	0.70	

DESCRIPTION:
SNAPNRACK, ULTRA RAIL STANDARD BASE SEAM
CLAMP WITH L FOOT AND LOCK

DRAWN BY:

mwatkins

REVISION:

A

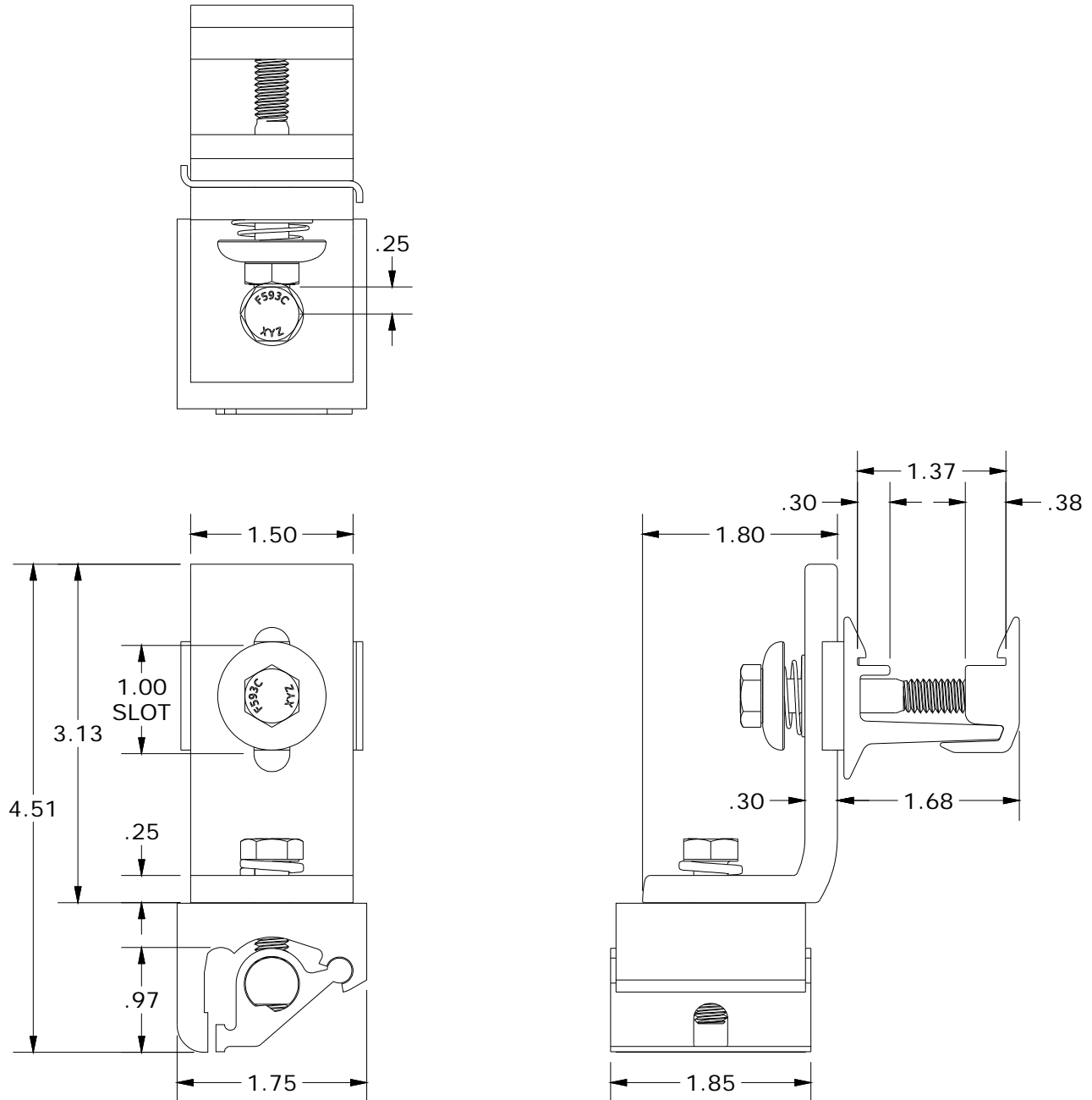
SnapNrack™
Solar Mounting Solutions

PART NUMBER(S):

242-05158

595 MARKET STREET, 29TH FLOOR • SAN FRANCISCO, CA 94105 USA
PHONE (415) 580-6900 • FAX (415) 580-6902

THE INFORMATION IN THIS DRAWING IS CONFIDENTIAL AND PROPRIETARY. ANY
REPRODUCTION, DISCLOSURE, OR USE THEREOF IS PROHIBITED WITHOUT THE
WRITTEN CONSENT OF SUNRUN SOUTH LLC.



ALL DIMENSIONS IN INCHES