

4

3

2

1

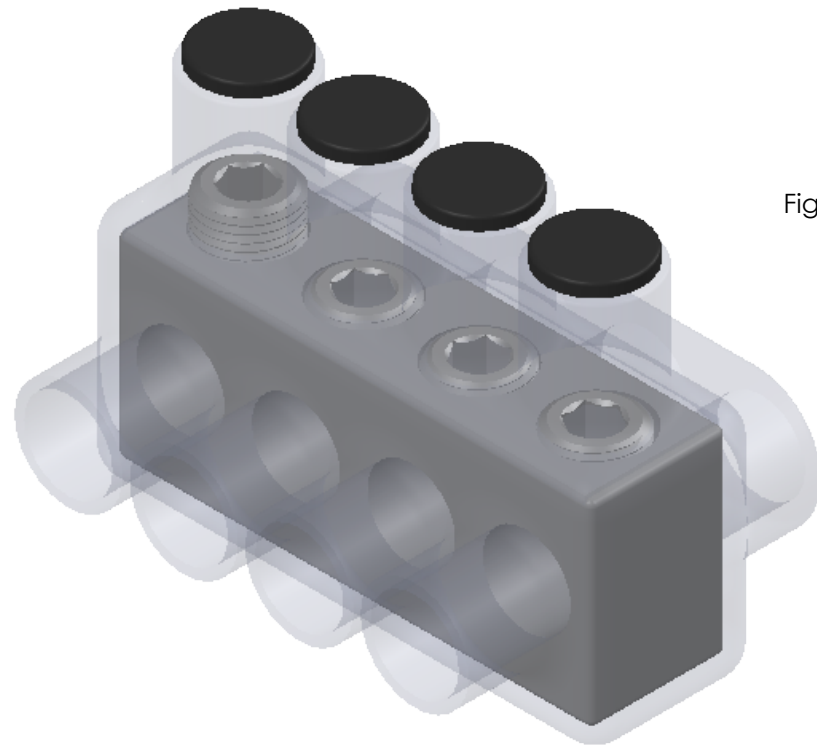
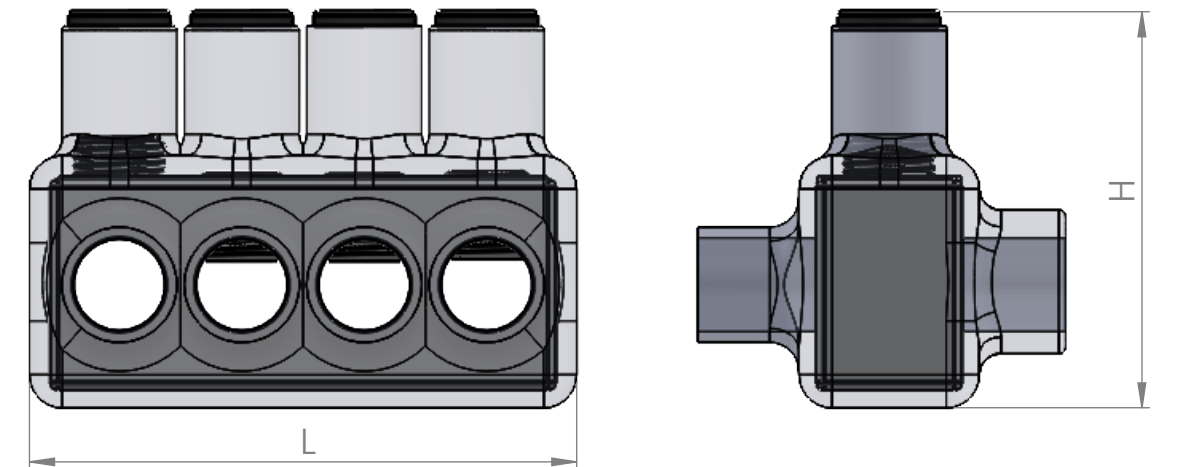
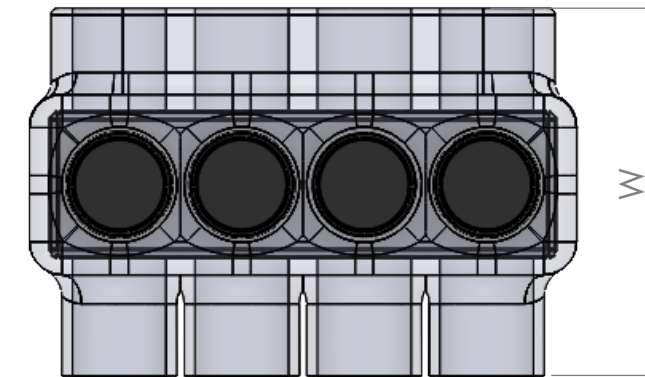


Figure size varies by number of ports


SCALE: 0.75:1

REVISIONS				
ZONE	REV.	DESCRIPTION	DATE	APPROVED



CAT. NO.	NO. OF PORTS	WIRE RANGE	COPPER CONDUCTOR MAX. AMPS	ALUMINUM CONDUCTOR MAX. AMPS	LENGTH (L) (IN.)	WIDTH (W) (IN.)	HEIGHT (H) (IN.)	MAX. TORQUE VALUE (IN./LBS)	HEX/WRENCH SIZE (IN.)	STD. CTN. QTY.
IPLD3/0-3C	3	3/0-6 AWG	-	-	2.630	1.830	1.790	250	1/4	6
IPLD250-3C	3	250 MCM-6 AWG	-	-	2.930	2.280	2.180	360	5/16	6
IPLD250-4C	4	250 MCM-6 AWG	527 A	410 A	3.800	2.280	2.180	360	5/16	6
IPLD500-3C	3	500 MCM - 4 AWG	-	-	4.010	2.830	2.910	450	5/16	3
IPLD350-3C	3	350 MCM-6 AWG	-	-	3.520	2.140	2.610	400	5/16	3
IPLD500-4C	4	500 MCM - 4 AWG	806 A	631 A	5.240	2.830	2.910	450	5/16	3
IPLD3/0-4C	4	3/0-6 AWG	-	-	3.410	1.830	1.790	250	1/4	6
IPLD350-4C	4	350 MCM-6 AWG	657 A	514 A	4.570	2.410	2.610	400	5/16	3
IPLD500-6C	6	500 MCM - 4 AWG	1209 A	946 A	7.520	2.830	2.910	450	5/16	2
IPLD250-6C	6	250 MCM-6 AWG	790 A	615 A	5.520	2.280	2.180	360	5/16	4
IPLD600-3C	3	600 MCM-6 AWG	-	-	4.550	2.960	3.030	550	5/16	3
IPLD500-5C	5	500 MCM - 4 AWG	-	-	6.380	2.830	2.910	450	5/16	2
IPLD350-6C	6	350 MCM-6 AWG	985 A	770 A	6.670	2.410	2.610	400	5/16	3
IPLD500-8C	8	500 MCM - 4 AWG	1612 A	1262 A	9.820	2.830	2.910	450	5/16	2
IPLD600-4C	4	600 MCM-6 AWG	1035 A	810 A	5.850	2.960	3.030	550	5/16	3
IPLD250-5C	5	250 MCM-6 AWG	-	-	4.660	2.280	2.180	360	5/16	4
IPLD750-3C	3	750-250 MCM	-	-	4.950	3.410	3.420	550	3/8	3
IPLD350-5C	5	350 MCM-6 AWG	-	-	5.620	2.410	2.610	400	5/16	3
IPLD500-10C	10	500 MCM - 4 AWG	-	-	12.110	2.830	2.910	450	5/16	1
IPLD750-4C	4	750-250 MCM	-	-	6.380	3.410	3.420	550	3/8	2



PROPRIETARY AND CONFIDENTIAL THE INFORMATION CONTAINED IN THIS DRAWING IS THE SOLE PROPERTY OF NSI Industries. ANY REPRODUCTION IN PART OR AS A WHOLE WITHOUT THE WRITTEN PERMISSION OF NSI Industries IS PROHIBITED.	NAME	DATE	 TITLE: Pre-Insulated Connectors IPLD (Clear) Series: Product Family
	DRAWN	DR 12/18	
	CHECKED	GW 1/19	
	ENG APPR.		
INTERPRET GEOMETRIC TOLERANCING PER: +/- .001	MFG APPR.		SIZE DWG. NO. REV B IPLD 2(Clear) Product Family A
MATERIAL	Q.A.		
FINISH	COMMENTS: TO ORDER NSI PRODUCTS CALL UNITED STATES (704) 439-2420 FOR PRODUCT INFO: www.nsiindustries.com		SCALE: 0.75:1 SW 2019 SHEET 1 OF 1
DIMENSIONS ARE IN INCHES			

4

3

2

1