

455C874
CONT. ON SHEET 2
OF 2

GENERAL ELECTRIC

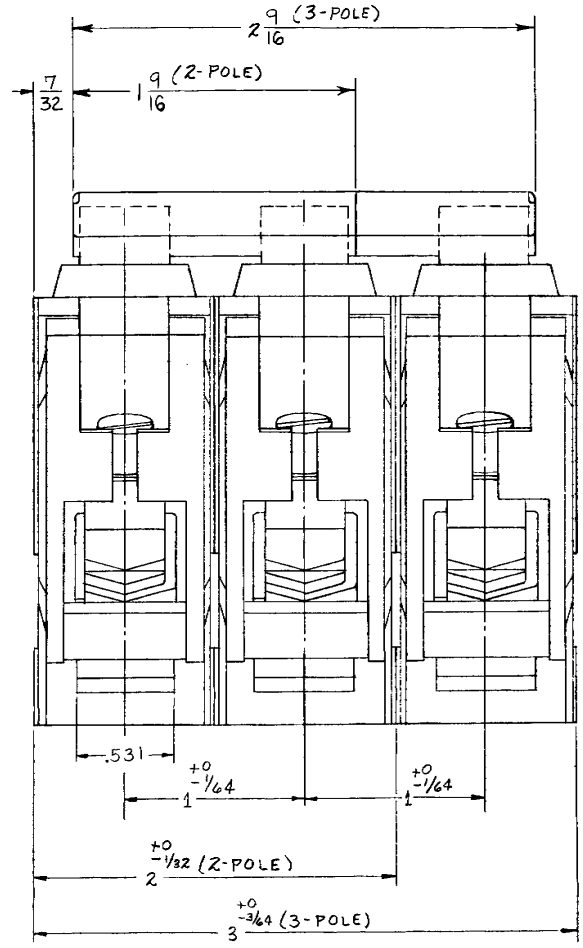
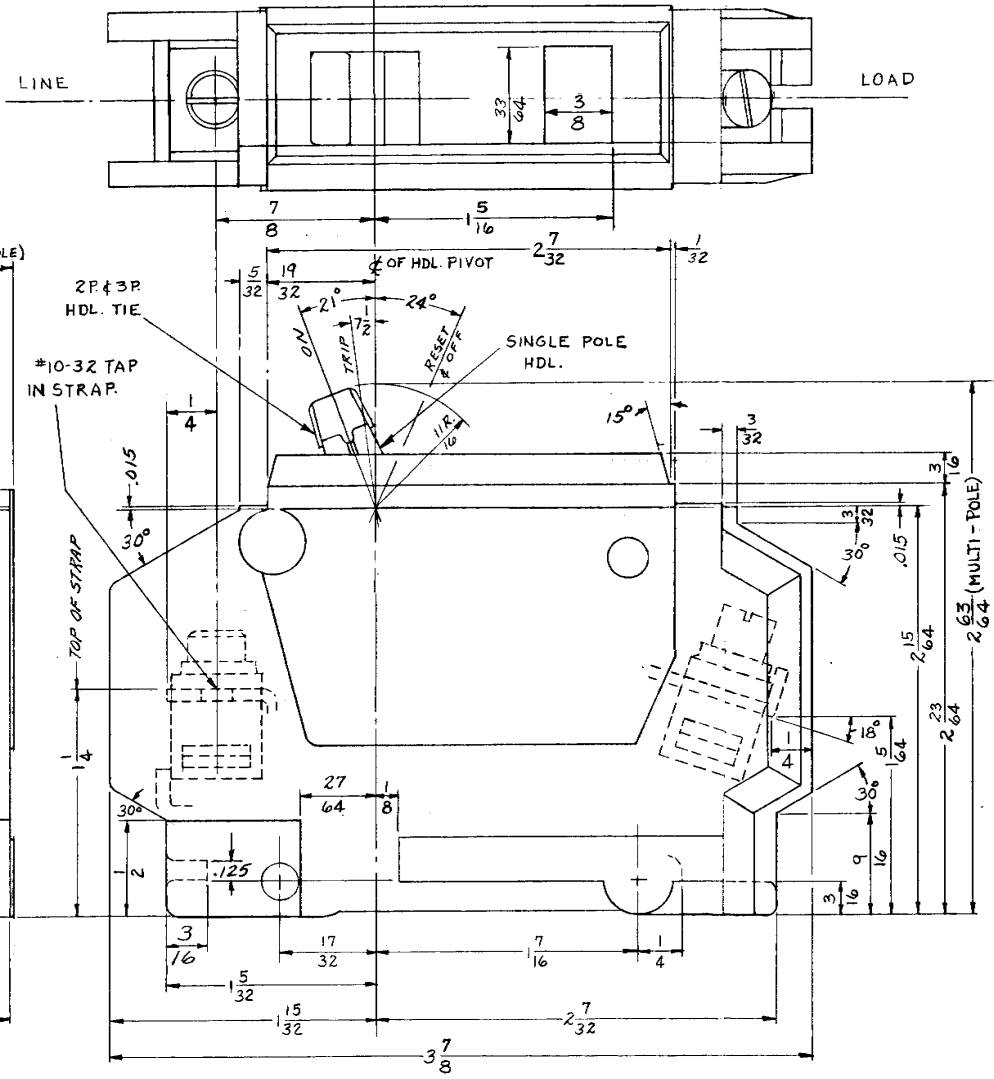
455C874
CONT. ON SHEET 2
SH. NO. 1

UNLESS OTHERWISE SPECIFIED USE THE FOLLOWING—

APPLIED PRACTICES	SURFACES	TOLERANCES ON MACHINED DIMENSIONS
FRACTIONS	DECIMALS	ANGLES
✓	± .005	±

TITLE OUTLINE
TQC CIRCUIT BREAKER
FIRST MADE FOR

A
B
C
D
E



LINE & LOAD LUGS
#14 TO 1/0 CU-AL

REV NO
1