

# FCA243636T-90023

OIN# 100079939  
 FIBERGLASS / PCX POLYMER  
 CONCRETE ASSEMBLY

24" X 36" X 36"  
 (For actual dimensions see drawing)

Fiberglass / Polymer Concrete Assembly,  
 Tapered Sides, No Floor, WUC 3.6,  
 ANSI/SCTE 77- "T15/20K," 3/8" Captive  
 Hex Bolts, Telephone EMS, (4) Racks,  
 (4) Knockouts, Ground Bar, Custom  
 Nameplate (AT&T USE 100006201  
 COVER HOOK ONLY) Cast-in

### LOAD RATINGS

Incidental Traffic - Parking Lot, Sidewalk  
 Conforms to:

- WUC 3.6
- ASTM C 857
- ANSI/SCTE 77

### FEATURES:

- USDA/RUS Approved
- Drop-In nameplate
- Shipped assembled
- Skid resistant cover
- Stainless steel bolts
- Cast-in floating nut box  
 - Integral drain holes

Additional product information  
 continued on the reverse

**newbasis**  
 Composites for Infrastructure

2626 Kansas Avenue  
 Riverside, California 92507

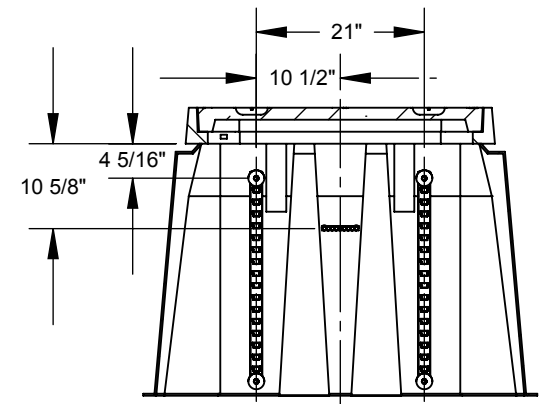
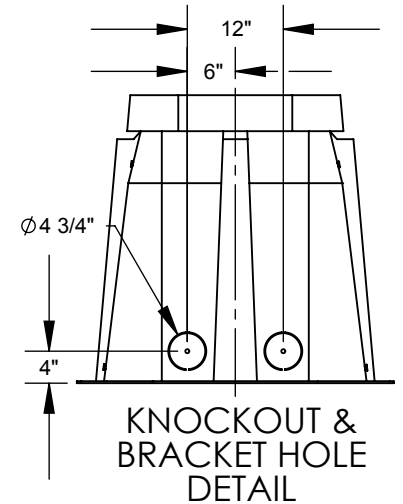
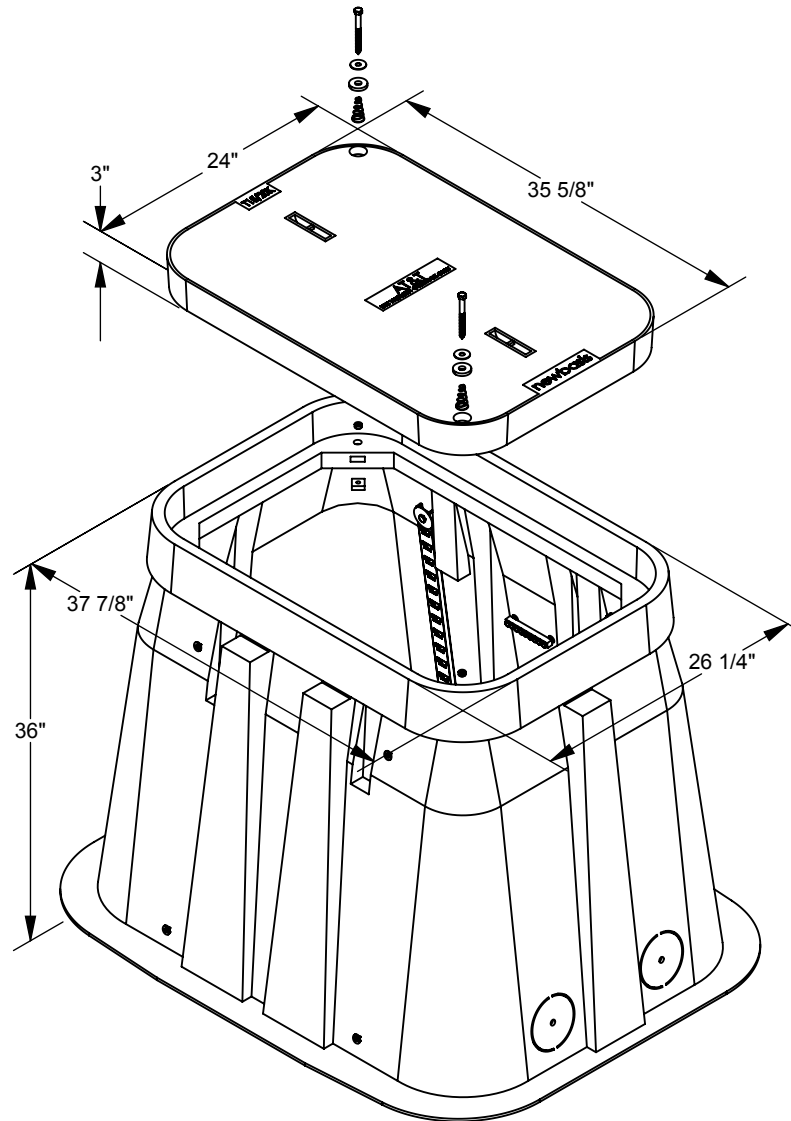
951.787.0600

951.787.0632 (fax)

info@newbasis.com

newbasis.com

**PCX**<sup>TM</sup>  
 POLYMER CONCRETE  
 The Next Generation



### Inside Dimensions

Length	Width	Depth
33 1/8"	21 1/2"	33"
44 1/8"	32 1/2"	

Rev: A.9

# FCA243636T-90023

OIN# 100079939

FIBERGLASS / PCX POLYMER  
CONCRETE ASSEMBLY

**PCX**<sup>TM</sup>  
POLYMER CONCRETE  
The Next Generation

**newbasis**

Fiberglass / Polymer Concrete Assembly, Tapered Sides, No Floor, WUC 3.6, ANSI/SCTE 77- "T15/20K," 3/8" Captive Hex Bolts, Telephone EMS, (4) Racks, (4) Knockouts, Ground Bar, Custom Nameplate (AT&T USE 100006201 CVR HOOK ONLY) Cast-in

**24" X 36" X 36"** For actual dimensions, see drawing on front side.

## AVAILABLE OPTIONS

- Penta Bolts
- Captive Hardware
- Telephone EMS
- Power EMS
- 4 Racks
- 4 Knockouts
- 4 Swingarm Bracket Holes
- Ground Bar
- Custom Nameplate Installed
- Custom Nameplate Shipped Separately
- Custom Nameplate Cast-in
- Standard Nameplate Installed
- Standard Nameplate Shipped Separately
- Standard Nameplate Cast-in

- Indicates a selected option

## NAMEPLATES

One standard nameplate included with each assembly, installed at the factory or easily installed in the field. Custom nameplates are available. Contact customer service.

### Standard Nameplates

- Electric
- Telephone
- Fiber Optic
- Water
- Street Lighting
- Broadband
- Traffic
- CATV
- Traffic Signal
- Communications

LIFT PIN FOR HAND HOLE COVER HOOK  
(NEWBASIS P/N:0701 OR EQUIVALENT)

NAMEPLATE  
LOCATION

EMS EMBEDDED  
IN COVER

RFID SMART TAG

GROUND BAR  
(ONE SIDEWALL)

(2) 14 HOLE RACKS  
(EACH SIDEWALL)

OPEN BOTTOM

(2) 4 3/4" KNOCKOUTS  
(EACH ENDWALL)

Rev: A.9

## MATERIAL PROPERTIES AND ATTRIBUTES

**Compressive Strength**  
Polymer Concrete - 11,500 PSI  
FRP - 19,440 PSI  
Per ASTM D695

**Flexural Strength**  
Polymer Concrete - 4,000 PSI  
FRP - 16,830 PSI  
Per ASTM D790

**Coefficient of Friction (Dry)**  
**1.085**  
Per ASTM C1028

- Polymer Concrete
- Advanced composite: Very high strength to weight ratio
  - Non-metallic
  - Non-conductive
  - UV Resistant
  - High impact resistant
  - Impervious to chemicals and moisture

Materials tested in accordance with ASTM D-543 and ASTM D-570

## WEIGHTS AND SHIPPING

COVER WEIGHT: 114 lbs.

BOX WEIGHT: 144.1 lbs.

ASSEMBLY WEIGHT: 258.1 lbs.

LOADED PALLET WEIGHT: 1,325.9 lbs.

Standard shipping includes van delivery of pallet quantities to the lower 48 states. Partial pallet quantities and flat bed shipping available at an additional cost.

## PACKAGING (Steel Banding, Edge Protection)

PALLET QUANTITY: 5

