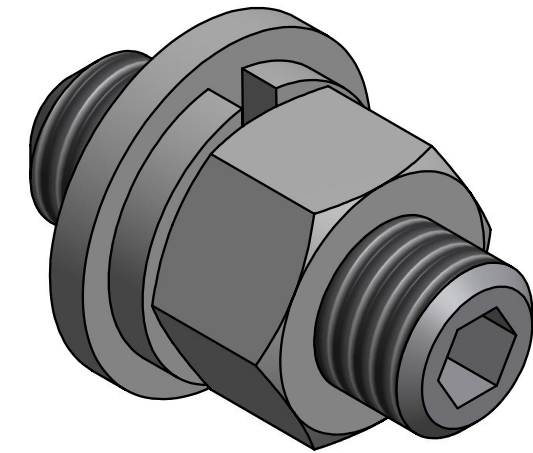
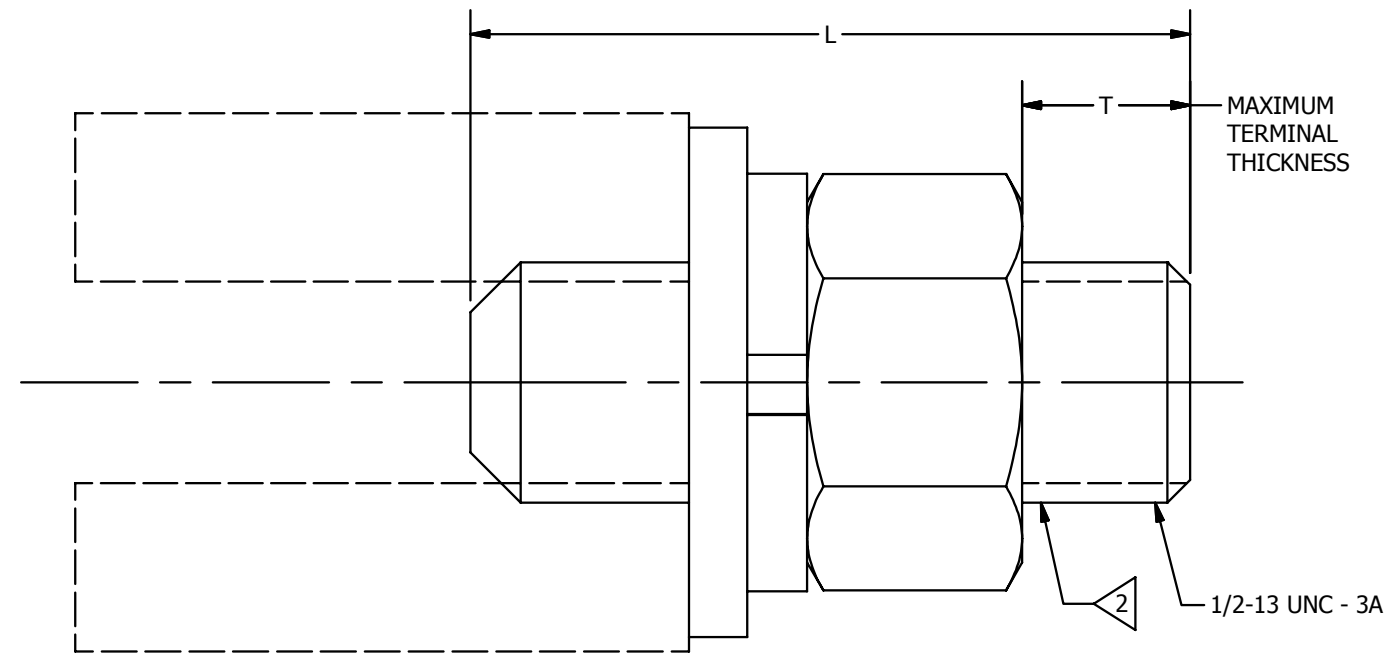


PT. NO.	CATALOG NUMBER	L
1	TMHG42	1.50 [38]
2	TMHG92	2.00 [51]

REV	DATE	DESCRIPTION	ECO	BY	C'H'K.
A	08/08/2014	DRAWING RELEASED	37347	SVY	MB



NOTES:

- MATERIAL: STAINLESS STEEL, 18-8 NON-MAGNETIC.
- HEXAGON SOCKET SET SCREW FINISH: PASSIVATE.
- 50C HD SET SCREW, CUP POINT, 1/2-13UNC-3A X 1.50 LG.
- 50C HD SET SCREW, CUP POINT, 1/2-13UNC-3A X 2.00 LG.
- DIMENSIONS IN BRACKETS [] ARE IN MILLIMETERS ROUNDED OFF TO THE NEAREST MILLIMETER, UNLESS OTHERWISE SPECIFIED AND ARE FOR REFERENCE ONLY.

TO ORDER BURNDY® PRODUCTS CALL		HARDWARE KIT, I-BEAM CONNECTOR	
UNITED STATES 1-800-346-4175 (LONDONDERRY, NH)		ITEM NO: N/A	
CANADA: 1-800-361-6975 (QUEBEC) 1-800-387-6487 (ALL OTHER PROVINCES)		CAT. NO: TMHG--	
FOR PRODUCT INFO: http://www.burndy.com		DRAWN BY: V.SIVANANTHAM 8/8/2014	
		CHECKER: B.MANIKANDAN 8/8/2014	
		DSN APRVL: J.MICHAUD 11/17/2014	
		MFG APRVL: --	
		QA APRVL: C.KOWALCZYK 10/25/2014	
		MKT APRVL: R.CAVANAUGH 10/7/2014	
		PROD FAM: --	
		DRAWING NO	
		50048710	
		REV	
		A	
		SHEET 1 OF 1	