

DESCRIPTION:

SNAPNRACK, ULTRA RAIL TILT STANDOFF KITS

DRAWN BY:

mwatkins

REVISION:

A



PART NUMBER(S):

242-92106, 242-92107, 242-92108, 242-92109

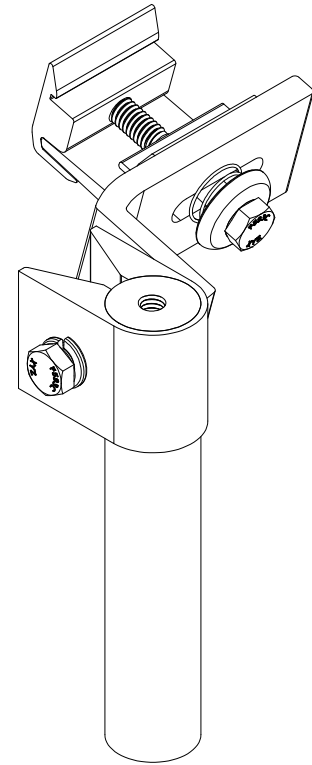
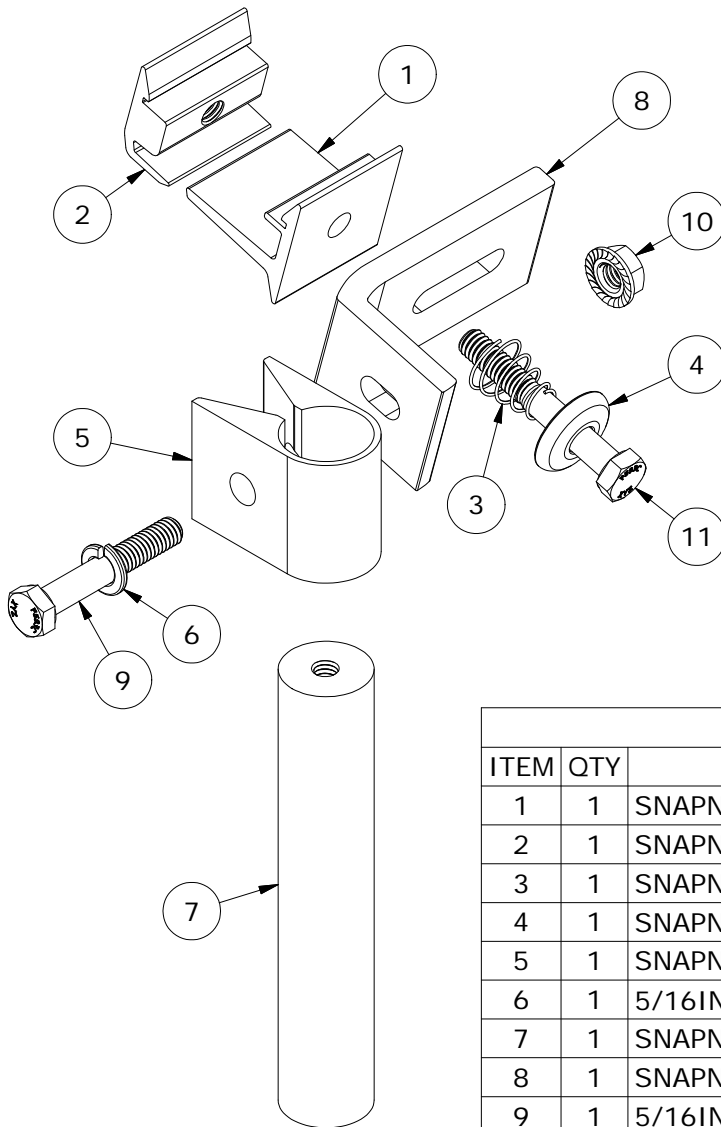
595 MARKET STREET, 29TH FLOOR • SAN FRANCISCO, CA 94105 USA
PHONE (415) 580-6900 • FAX (415) 580-6902

THE INFORMATION IN THIS DRAWING IS CONFIDENTIAL AND PROPRIETARY. ANY REPRODUCTION, DISCLOSURE, OR USE THEREOF IS PROHIBITED WITHOUT THE WRITTEN CONSENT OF SUNRUN SOUTH LLC.

COMPATIBLE WITH FOLLOWING BASES:

242-00017 - STANDOFF BASE, 1-HOLE

242-02218 - STANDOFF BASE, 4-HOLE



PARTS LIST

ITEM	QTY	DESCRIPTION
1	1	SNAPNRACK, ULTRA RAIL MOUNT THRU PRC, CLEAR
2	1	SNAPNRACK, ULTRA RAIL MOUNT TAPPED PRC, CLEAR
3	1	SNAPNRACK, ULTRA RAIL MOUNT SPRING, SS
4	1	SNAPNRACK, ULTRA RAIL MOUNT SPRING CAGE, 6061-T6 AL
5	1	SNAPNRACK, STANDOFF CLAMP, CLEAR
6	1	5/16IN SS SPLIT LOCK WASHER
7	1	SNAPNRACK STANDOFF SHAFT, STANDARD, LENGTH VARIES
8	1	SNAPNRACK, AP90 L FOOT PRC, CLEAR
9	1	5/16IN-18 X 2IN SS HCS BOLT
10	1	NUT, FLANGE, SERRATED, 5/16IN-18, SS
11	1	5/16IN-18 X 2-1/4IN SS HCS BOLT

MATERIALS:

6000 SERIES ALUMINUM, STAINLESS STEEL

OPTIONS:

DESIGN LOAD (LBS):

SEE DATASHEET FOR BASE

5.5", 10", 14", 23" LENGTHS

ULTIMATE LOAD (LBS):

SEE DATASHEET FOR BASE

TORQUE SPECIFICATION:

12 LB-FT

CERTIFICATION:

UL 2703, FILE E359313

WEIGHT (LBS):

0.94 - 2.19

DESCRIPTION:

SNAPNRACK, ULTRA RAIL TILT STANDOFF KITS

DRAWN BY:

mwatkins

REVISION:

A

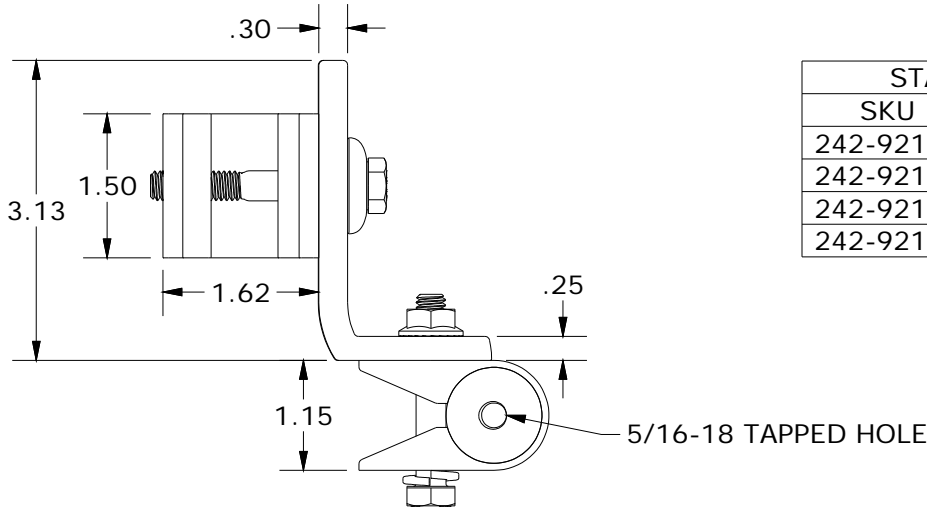
SnapNrack™
Solar Mounting Solutions

PART NUMBER(S):

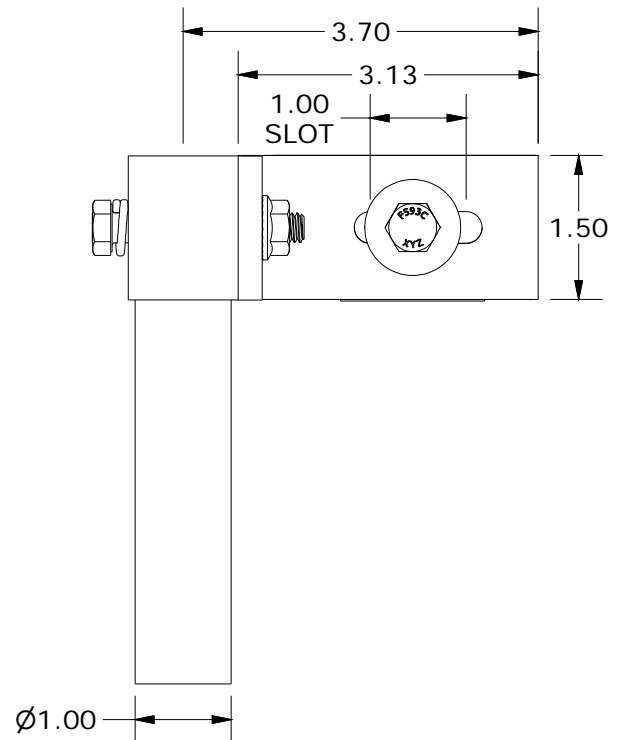
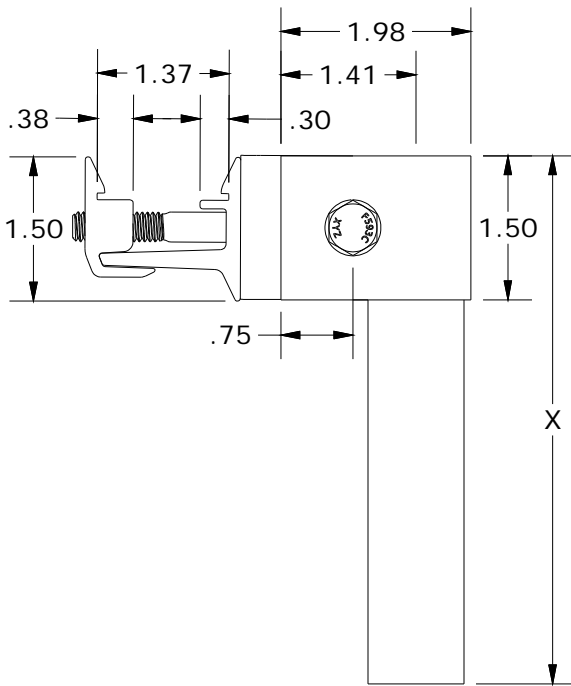
242-92106, 242-92107, 242-92108, 242-92109

595 MARKET STREET, 29TH FLOOR • SAN FRANCISCO, CA 94105 USA
PHONE (415) 580-6900 • FAX (415) 580-6902

THE INFORMATION IN THIS DRAWING IS CONFIDENTIAL AND PROPRIETARY. ANY REPRODUCTION, DISCLOSURE, OR USE THEREOF IS PROHIBITED WITHOUT THE WRITTEN CONSENT OF SUNRUN SOUTH LLC.



STANDOFF PROPERTIES	
SKU	STANDOFF LENGTH (X)
242-92106	5.5"
242-92107	10"
242-92108	14"
242-92109	23"



ALL DIMENSIONS IN INCHES