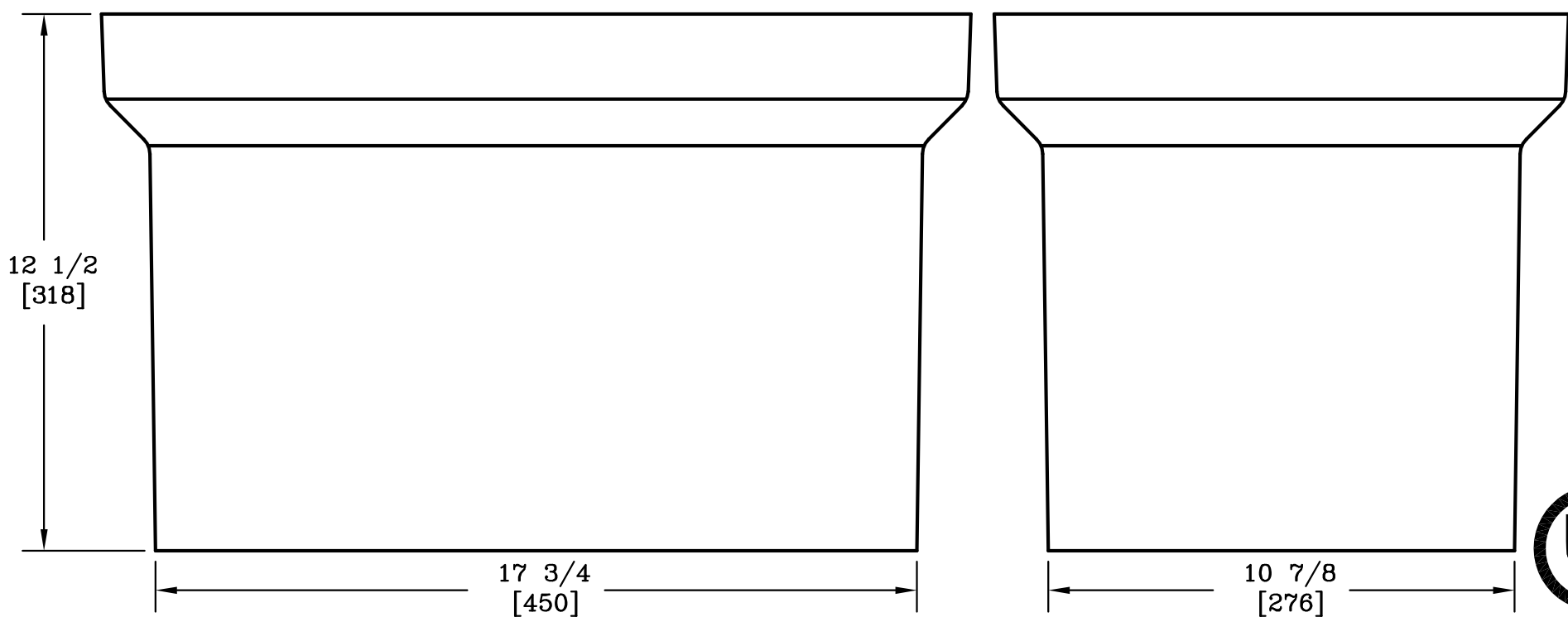



SECTION A-A

NOTE:

1. DIMENSIONS IN BRACKETS ARE IN MILLIMETERS UNLESS NOTED OTHERWISE.



DIMENSIONS ARE IN INCHES OR MILLIMETERS IN BRACKETS UNLESS OTHERWISE NOTED.				 3621 INDUSTRIAL PARK DR LENOIR CITY, TN 37771 800-346-3062 www.quazite.com		LOC
DRN	BY	DATE	WEIGHT	DRAWING DESCRIPTION		S
CHK	WRJ	7/24/00	46# 21kg			REV
ENG			SCALE	QUAZITE[®] BOX		B
APR			3"=1'			3/12
APR			SIZE			
PROJECT NUMBER			DRAWING NUMBER			
00523			PG1118DA12			
SHEET 1 OF 1						