

PRSR FIRST-CLASS  
US POSTAGE  
**PAID**  
AVON, OH  
PERMIT NO. 86



Scan with your  
smart phone.

**Welcome to the NEW Walters  
branch in North Hollywood!**

12031 Vose Street, North Hollywood, CA 91605 - (818) 351-9100

**\$25.00 off will call of  
Walters North Hollywood**  
Apply coupon code: NoHo25  
Expires on: **March 31, 2018**

**\$250.00 or more**

**\$25.00 off will call order**

Coupon amount will be subtracted from your subtotal product purchase (not including shipping and applicable sales tax) No cash value. Coupon good for one-time use only. Not for resale or auction and cannot be combined with other offers. Coupon void where prohibited. Only valid at Walters North Hollywood. Coupons must be present at time of purchase. Apply coupon code: NoHo25

**Walters**

**WHOLESALE ELECTRIC CO.  
ELECTRICAL SUPPLIES**

February 2018

Walters is Going to Sydney, Australia

Plans are already underway for next year's trip to Australia. There's so much to see and do, from visiting the world-famous beaches to sightseeing. You don't want to miss this exciting adventure! See your store manager for details on how you can join Walters in the land down under.

Get Ready for a "G'day Mate!"



1050 N. Kraemer Place  
Anaheim, CA 92806  
714-630-7321  
FAX 714-630-3284

**BREA BRANCH**  
200 N. Berry Street, Suite B  
Brea, CA 92821  
714-784-1970  
FAX 714-992-2891

7835 Canoga Avenue  
Canoga Park, CA 91304  
818-264-2400  
FAX 818-264-2405

17120 Edwards Road  
Cerritos, CA 90701  
562-404-7710  
FAX 562-926-0104

18626 Susana Road  
Compton, CA 90221  
310-638-0484  
FAX 310-638-5240

255 Deininger Circle  
Corona, CA 92880  
951-271-8200  
FAX 951-271-8205

3037 Enterprise Street  
Costa Mesa, CA 92626  
714-545-2022  
FAX 714-545-6424

525 N. Andreasen Drive, Suite A  
Escondido, CA 92029  
760-658-6300  
FAX 760-658-6330

22552 Shannon Circle  
Lake Forest, CA 92630  
949-768-1275  
FAX 949-768-3412

1619 W. 15th Street  
Long Beach, CA 90813  
562-436-2452  
FAX 562-436-2749

11305 S. Hindry Avenue  
Los Angeles, CA 90045  
310-342-5730  
FAX 310-342-5740

12031 Vose Street  
North Hollywood, CA 91605  
818-351-9100  
FAX 818-351-9105

77742 Las Montanas Road  
Palm Desert, CA 92211  
760-345-4727  
FAX 760-345-4720

2750 Nina Street  
Pasadena, CA 91107  
626-289-6142  
FAX 626-289-4670

425 W. Rider Street, Suite C1  
Perris Valley, CA 92571  
951-943-7708  
FAX 951-940-9839

10864 Edison Court  
Rancho Cucamonga, CA 91730  
909-989-7058  
FAX 909-989-2858

1880 Spruce Street  
Riverside, CA 92507  
951-680-0210  
FAX 951-680-1646

10031 Old Grove Road  
San Diego, CA 92131  
858-437-5700  
FAX 858-437-5710

357 E. Arrow Highway  
San Dimas, CA 91773  
909-450-0840  
FAX 909-450-0845

1510 S. Ritchey Street  
Santa Ana, CA 92705  
714-541-2253  
FAX 714-541-0430

11911 Hamden Place  
Santa Fe Springs, CA 90670  
562-949-0215  
FAX 562-949-4396

22881 Lockness Avenue  
Torrance, CA 90501  
310-325-5077  
FAX 310-325-0989

3375 Slauson Avenue  
Vernon, CA 90058  
Phone 323-214-6100  
FAX 323-214-6150

15315 Cholame Road  
Victorville, CA 92392  
760-269-3030  
FAX 760-269-3035

7100 Fenwick Lane  
Westminster, CA 92683  
714-895-7700  
FAX 714-892-3390

**Energy Management Div.**  
200 N. Berry Street  
Brea, CA 92821  
714-784-1900  
FAX 714-784-1339

**Residential Lighting**  
200 N. Berry Street  
Brea, CA 92821  
714-784-1900  
FAX 714-784-1350

**Roadway & Street Lighting Div**  
200 N. Berry Street  
Brea, CA 92821  
714-784-1900  
FAX 714-784-1720

**Low Voltage**  
200 N. Berry Street  
Brea, CA 92821  
714-784-1970  
FAX 714-784-1379



**Tool Division and  
Repair Center**  
200 N. Berry Street  
Brea, CA 92821  
(714) 784-1900  
FAX (714) 784-1340



# Walters Vernon

February 16th 8:00am-11:00am

Steve Amaya is the new branch Manager of Walters Vernon. Come celebrate with breakfast on us!



3375 Slauson Avenue, Vernon, CA 90058  
(323) 214-6100

# MEET the Managers

## Walters Canoga Park

February 28th 11:30am-1:00pm

Come over to Walters Canoga Park to meet the new Manager, Jordy Bauer. We will be celebrating with raffle prizes and showcasing some new products from our electrical vendors.



7835 Canoga Avenue, Canoga Park, CA 91304  
(818) 264-2400

HUBBELL

RACO

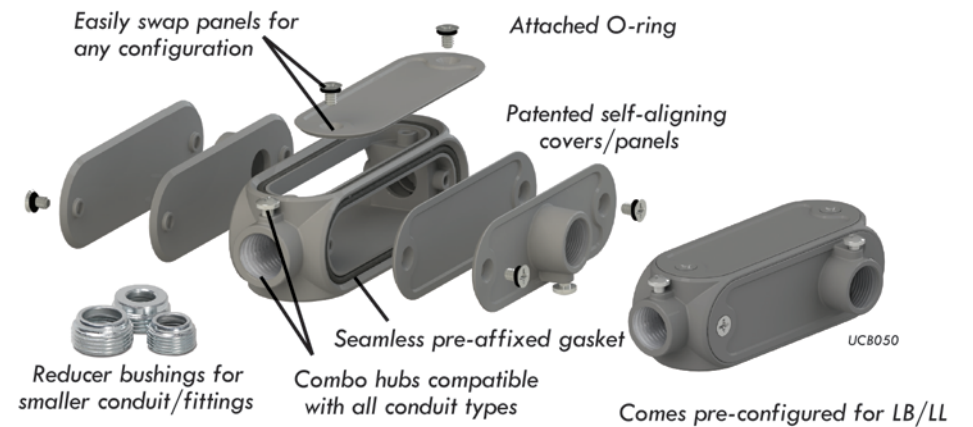
TAYMAC

BELL

# U • CONDUIT

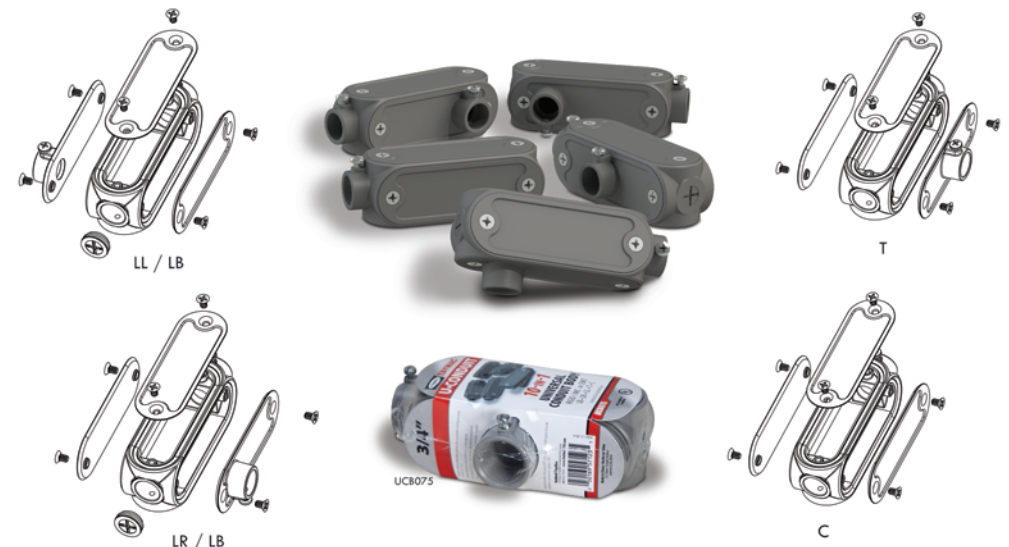
## UNIVERSAL CONDUIT BODY for RIGID/IMC or EMT

Easily configures to all standard bodies (LB • LR • LL • T • C)



## U•CONDUIT

Universal Conduit Body easily configures for all common uses



CATALOG #	DESCRIPTION	VOLUME	PKG. TYPE	STD. PKG.	UPC	I 2of5
<b>U•CONDUIT 10-IN-1 UNIVERSAL CONDUIT BODY</b>						
UCB050	1/2" Universal Conduit Body	5.8 cu in (95 cc)	Shrink Wrap	10	050169571224	50050169571229
UCB075	3/4" Universal Conduit Body	9.5 cu in (156 cc)	Shrink Wrap	10	050169571231	50050169571236
UCB0100	1" Universal Conduit Body	14.3 cu in (234 cc)	Shrink Wrap	10	050169571248	50050169571243